

PRODUCT DATASHEET

## KG30 Easy Grip Pull Handle (on Backplate)

The compact Easy Grip pull handle features a shaped backplate that enhances the overall appearance and helps create a modern environment. It has been designed to give excellent grip yet remain safe for installation in all user group areas.



### Terms and conditions:

To see our full terms and conditions, please visit:  
[kingswaygroupglobal.com/en-au/terms](https://kingswaygroupglobal.com/en-au/terms)

# Your Partner in Patient Safety

## Installation Description

- If a Bolt Fixed Handle is being fitted to the other side of the door, install that handle first before continuing
- Mark out the 4 fixing holes by placing the handle on the door, making sure the backplate is flat on the door
- Pilot the 4 fixing holes then fix the handle in place using the 4 countersunk security screws supplied

## Maintenance and Cleaning

### Maintenance

Periodic checks should be made to the fixings to ensure they remain tight and that they have not been tampered with.

### Cleaning

Handles should be cleaned using a non-abrasive sanitising agent. Abrasive cleaning cloth and agents should be avoided.

## Guarantee

### 5 Year Guarantee\*

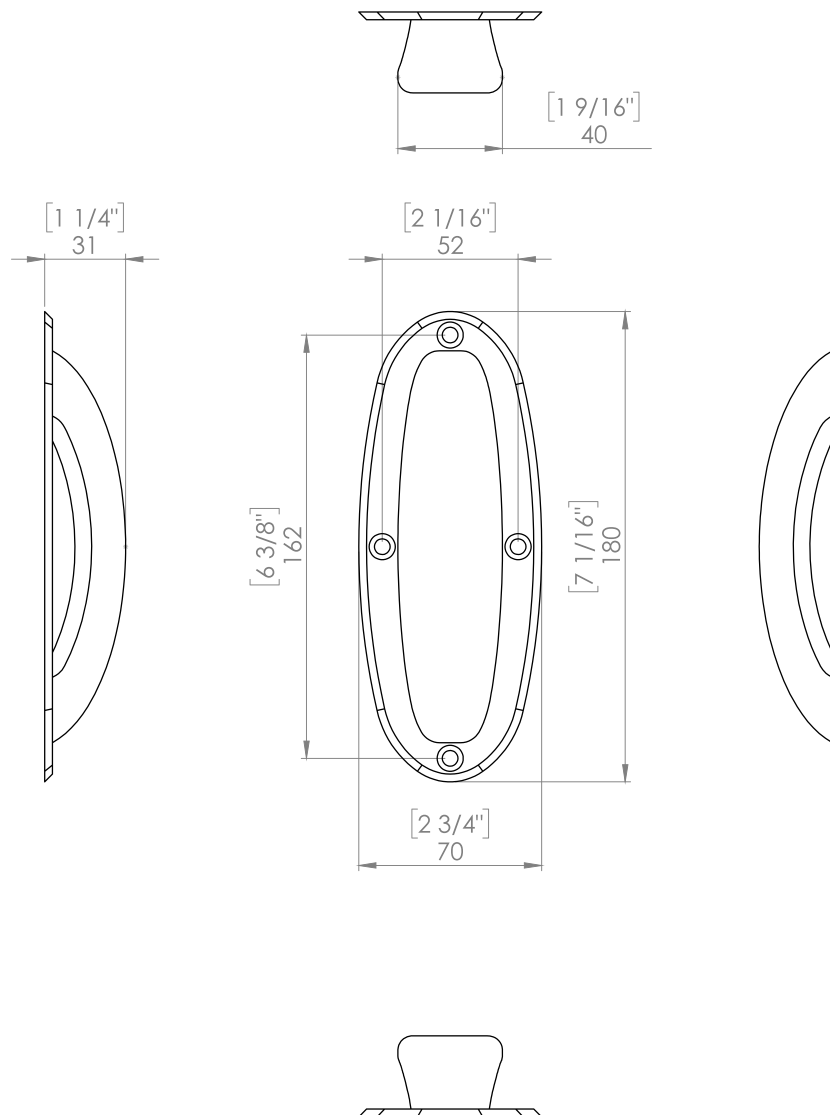
\*For faulty manufacture and not for damage

### Specification

KG30 Easy Grip pull handle on backplate

PRODUCT DIAGRAM

# KG30 Easy Grip Pull Handle (on Backplate)



**Terms and conditions:**

To see our full terms and conditions, please visit: [kingswaygroupglobal.com/en-au/terms](https://kingswaygroupglobal.com/en-au/terms)