

PRODUCT DATASHEET

Anti-Ligature Doc M Pack

An anti-ligature washroom pack containing the parts necessary to support safe and accessible use of washrooms in mental health facilities.

Each anti-ligature component has been specifically designed for mental health environments and their ergonomic properties allow comfortable use for disabled service users without impacting the ligature risk. The pack components can be customised in a range of colour choices to help contribute to the healing environment.



Terms and conditions:

To see our full terms and conditions, please visit:
kingswaygroupglobal.com/en-au/terms

Your Partner in Patient Safety

DOC M Pack Components

The pack components can be customised in a range of colour choices to help contribute to the healing environment and is available in the following variants:

5 Part Anti-Ligature Doc M Pack:

- 4x Grab Bars (LH or RH)
- 1x Drop Rail

7 Part Anti-Ligature Doc M Pack:

- 4x Grab Bars (LH or RH)
- 1x Drop Rail
- 1x Drop Rail
- 1x Single Coat Hook
- 1x Mirror

Guarantee

5 Year Guarantee*

*For faulty manufacture and not for damage

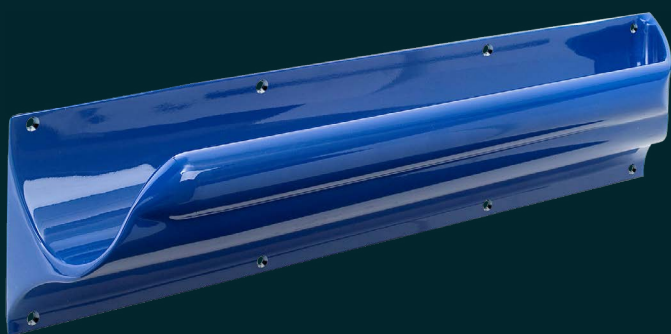
Specification

KG256 5 Part Anti-Ligature Doc M Pack
KG257 7 Part Anti-Ligature Doc M Pack

PRODUCT DATASHEET

KG250/251 Grab Rail

The WC Grab Rail is a 600mm handrail section with either a closed or open end cap. It is suitable for use either as a vertical rail beside a mirror, on the wall behind the WC, at 15° beside the WC or on the back of the door. Finished in a range of powder coating options and supplied with security fixings.



Terms and conditions:

To see our full terms and conditions, please visit:
kingswaygroupglobal.com/en-au/terms

Installation Description

- Place the Grab Rail on the wall and mark out the 10 fixing points
- Drill holes for the 10 fixing points and insert suitable plugs
- Fix the Drop Rail in place using the security screws provided

We recommend Grab Rails are sealed around all sides with anti-pick mastic.

Operation and Maintenance

Operation

To grip the handrail correctly, the fingers should curl round the bar with the thumb supporting from the outside.

Maintenance

Designed to be maintenance free having either a powder coated or anodised finish.

Cleaning

Avoid the use of caustic cleaners. Where necessary, only a light detergent should be used.

Guarantee

5 Year Guarantee*

*For faulty manufacture and not for damage

Specification

KG250 Anti-ligature DDA 600mm Left Hand Grab Rail.

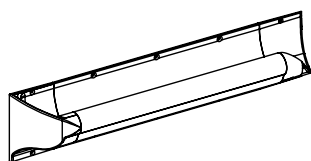
KG251 Anti-ligature DDA 600mm Right Hand Grab Rail.

This product is patented as per GB2505494

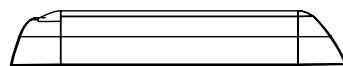
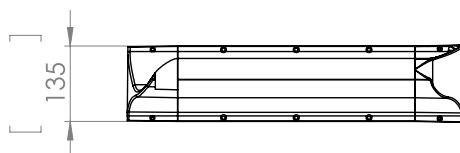
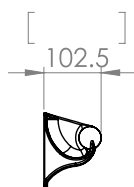
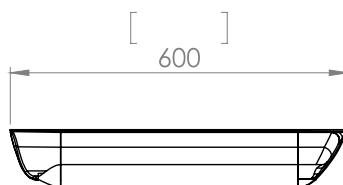
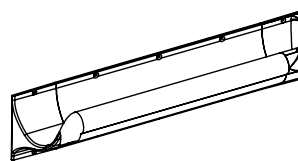
PRODUCT DIAGRAM

KG250/251 Grab Rail

KG251 Right Hand Grab Bar



KG250 Left Hand Grab Bar



Terms and conditions:

To see our full terms and conditions, please visit: kingswaygroupglobal.com/en-au/terms

PRODUCT DATASHEET

KG255 Drop Rail

Rated to 300kg, the KG255 is a high-strength drop rail designed to support service users in mental health ensuites and washroom facilities. The sturdy hinged rail can be safely locked in the upright position when not in use to ensure the ligature risk is minimised, while staff can unlock the unit and lower the rail when a service user requires support. The KG255 is manufactured from heavy gauge steel for maximum strength and powder coated for both comfort and to match or contrast the surroundings.



Terms and conditions:

To see our full terms and conditions, please visit:
kingswaygroupglobal.com/en-au/terms

Installation Description

- Place the drop rail unit on the wall and mark the 10 fixing points
- Drill holes for the 10 points and insert suitable plugs
- Fix the drop rail in place using the security screws provided

Operation and Maintenance

Operation

To use:

- Ensure that you and others are clear of the rail's drop path
- Ensuring the rail is supported, unlock the rail using the supplied key
- Carefully lower the rail into place

After use (raise and lock the rail):

- Ensure a clear path for the rail
- Carefully raise the rail into its upright position, holding it in place
- Lock the rail in its upright position to secure the unit
- You must ensure the rail is correctly locked - pull on the rail to confirm it is locked
- If the rail begins to lower, repeat the locking procedure whilst supporting the rail

Maintenance

Light lubricant can be used on moving parts and periodic checks should be made to fixings and general smooth operation of the arm

Cleaning

Avoid the use of caustic cleaners. Where necessary, only a light detergent should be used.

Guarantee

5 Year Guarantee*

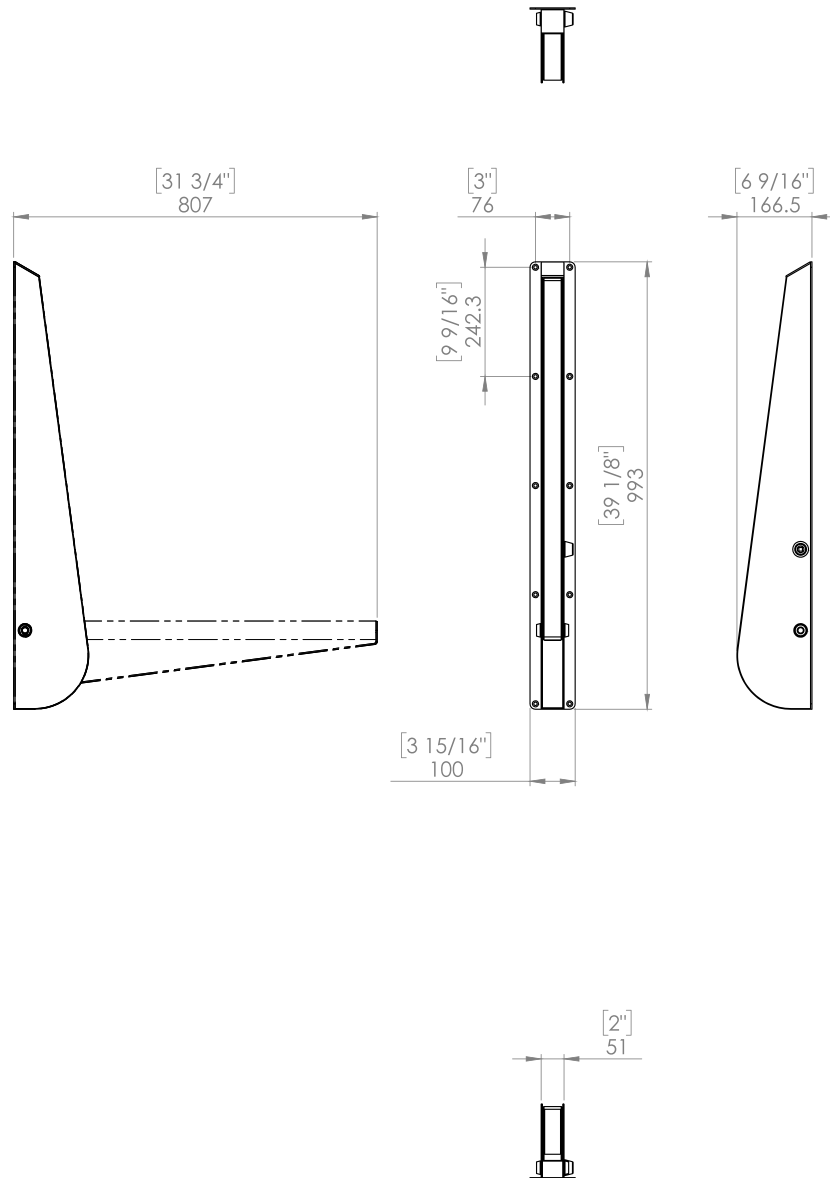
*For faulty manufacture and not for damage

Specification

KG255 Anti-Ligature Drop Rail Support

PRODUCT DIAGRAM

KG255 Drop Rail



Terms and conditions:

To see our full terms and conditions, please visit: kingswaygroupglobal.com/en-au/terms

PRODUCT DATASHEET

KG231 Anti-Ligature Mirror

An anti-ligature, shatter-resistant mirror. Featuring a high-strength polycarbonate mirror piece secured within an aluminium frame, the KG231 is secured to the wall with 16 security fixings.



Terms and conditions:

To see our full terms and conditions, please visit:
kingswaygroupglobal.com/en-au/terms

Your Partner in Patient Safety

Installation Description

- Position the mirror in the desired location on your wall or door
- Mark out the 16 fixing holes and pre-drill if fixing into a solid surface
- When fixing to a brick or block wall, ensure plugs are used for a secure fixing
- Screw the mirror to the wall using the security screws provided, ensuring a tight fixing with no movement

Operation and Maintenance

Operation

The anti-ligature mirror has been designed for use in bedrooms and bathrooms as a substitute for real glass mirrors for the safety of service users.

Maintenance

Frequent checks should be made to ensure the mirror is free from signs of tampering or damage, that all screws are secure, and that there is no movement in the screws or frame.

Guarantee

5 Year Guarantee*

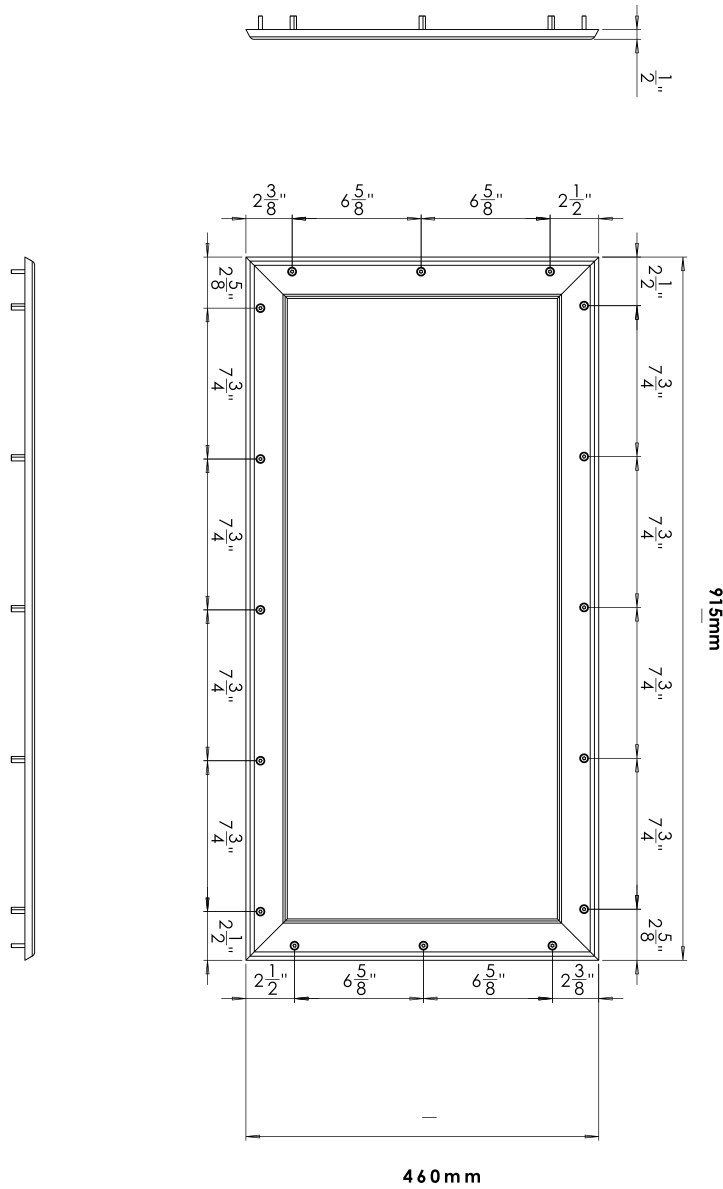
*For faulty manufacture and not for damage

Specification

KG231 Anti-Ligature Mirror

PRODUCT DIAGRAM

KG231 Anti-Ligature Mirror



Terms and conditions:

To see our full terms and conditions, please visit: kingswaygroupglobal.com/en-au/terms

PRODUCT DATASHEET

KG180 Anti-Ligature Coat Hook

The KG180 coat and towel hook has a flexible hook with a low release threshold made from low shore rating, high silicone content rubber. The hook is secured by a stainless steel surround and fixed by two security screws that pass through both the surround and the rubber.



Terms and conditions:

To see our full terms and conditions, please visit:
kingswaygroupglobal.com/en-au/terms

Your Partner in Patient Safety

Installation Description

- Mark out the two fixing holes using the template provided
- Drill all fixing holes using suitable wall plugs where necessary
- Secure in place using the two security screws provided

Operation and Maintenance

Operation

Designed for garments and towels up to 6kg in weight. The hook will release under additional weight.

Maintenance

Periodic checks should be made to ensure the screws remain tight and that the rubber has not been damaged.

Cleaning

Clean using a non-abrasive sanitising agent. Abrasive cleaning cloth and agents should be avoided.

Guarantee

5 Year Guarantee*

*For faulty manufacture and not for damage

Specification

KG180 BK (Black) Anti-Ligature Coat Hook

KG180 BL (Blue) Anti-Ligature Coat Hook

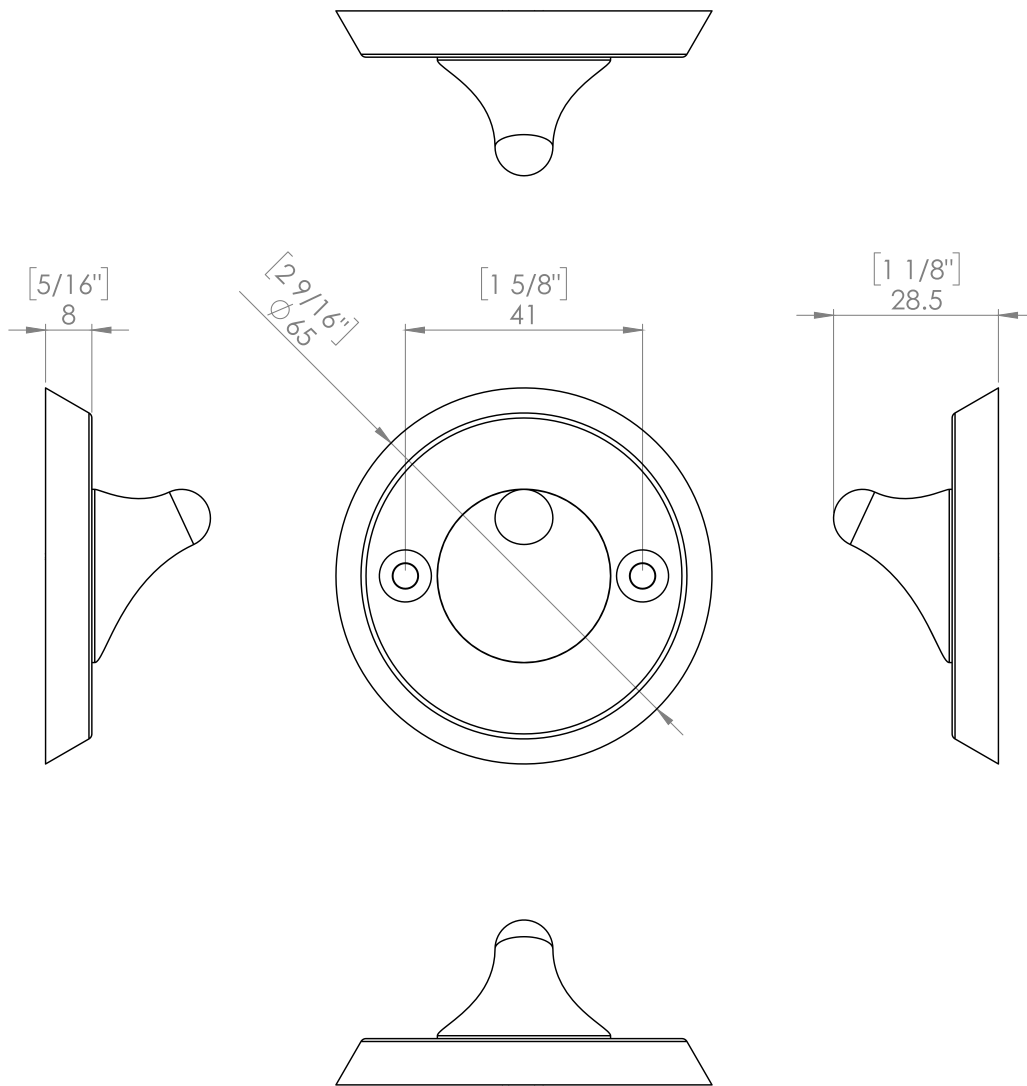
KG180 CR (Cream) Anti-Ligature Coat Hook

KG180 GR (Grey) Anti-Ligature Coat Hook

KG180 BE (Beige) Anti-Ligature Coat Hook

PRODUCT DIAGRAM

KG180 Anti-Ligature Coat Hook



Terms and conditions:

To see our full terms and conditions, please visit: kingswaygroupglobal.com/en-au/terms