

PRODUCT DATASHEET

KG206 SwingStop 3 Point Single Key Lock, Hardwood

The SwingStop is an anti-barricade device that works with either a pivot set or a floor spring. When locked, the door will stop against it. When unlocked, the SwingStop allows the door to open outwards. The solid timber moulding is available in Ash, Beech, Oak and paint grade timber finishes. The KG206 features 3 locking points that are operated by a single key point.

**Terms and conditions:**

To see our full terms and conditions, please visit:
kingswaygroupglobal.com/en-au/terms

Your Partner in Patient Safety

Operation and Maintenance

Operation

The timber SwingStop is unlocked by a quarter turn of the Kingsway Staff Key. Once unlocked, the SwingStop can be flipped outwards using the two recessed finger pulls, allowing the door leaf to open outwards. To reset, push the door leaf back through then close and lock SwingStop, returning the door to single-action operation.

Maintenance

Periodic checks should be made to ensure that it is functioning correctly. Where necessary light grease can be used in the lock mechanism. Checks should be made to ensure that the lock is holding the stop correctly. Fine adjustments can be made to the hook bolt by turning the screw on the lock face.

Warranty

1 Year Manufacturer's Defect Warranty*

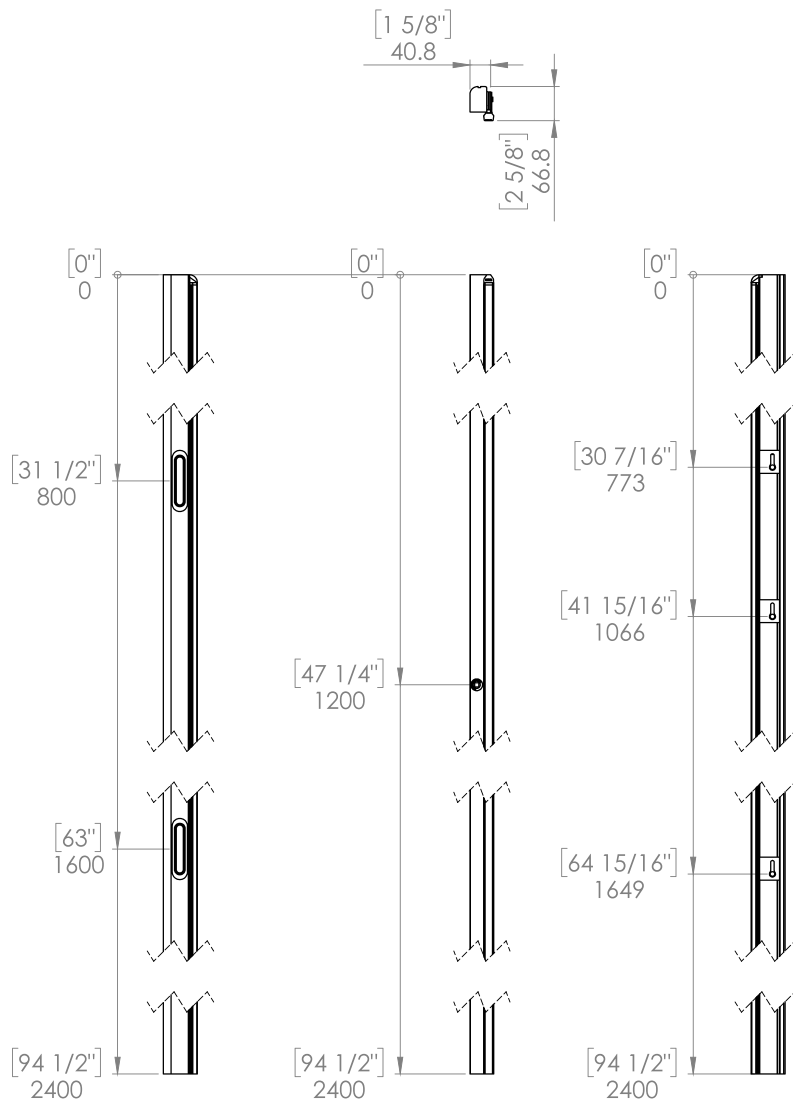
*For faulty manufacture and not for damage

Specification

KG206 SwingStop 3 Lock, Single Key,
Hardwood

PRODUCT DIAGRAM

KG206 SwingStop 3 Point Single Key Lock, Hardwood



Terms and conditions:

To see our full terms and conditions, please visit: kingswaygroupglobal.com/en-au/terms