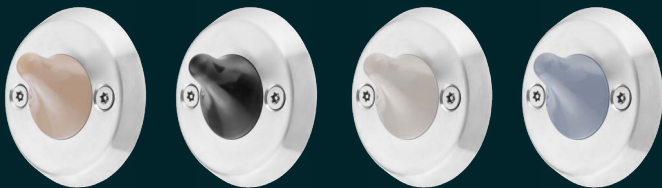


PRODUCT DATASHEET

## KG180 Anti-Ligature Coat Hook

The KG180 coat and towel hook has a flexible hook with a low release threshold made from low shore rating, high silicone content rubber. The hook is secured by a stainless steel surround and fixed by two security screws that pass through both the surround and the rubber.



### Terms and conditions:

To see our full terms and conditions, please visit:  
[kingswaygroupglobal.com/en-au/terms](https://kingswaygroupglobal.com/en-au/terms)

# Your Partner in Patient Safety

## Installation Description

- Mark out the two fixing holes using the template provided
- Drill all fixing holes using suitable wall plugs where necessary
- Secure in place using the two security screws provided

## Operation and Maintenance

### Operation

Designed for garments and towels up to 6kg in weight. The hook will release under additional weight.

### Maintenance

Periodic checks should be made to ensure the screws remain tight and that the rubber has not been damaged.

### Cleaning

Clean using a non-abrasive sanitising agent. Abrasive cleaning cloth and agents should be avoided.

## Guarantee

### 5 Year Guarantee\*

\*For faulty manufacture and not for damage

### Specification

KG180 BK (Black) Anti-Ligature Coat Hook

KG180 BL (Blue) Anti-Ligature Coat Hook

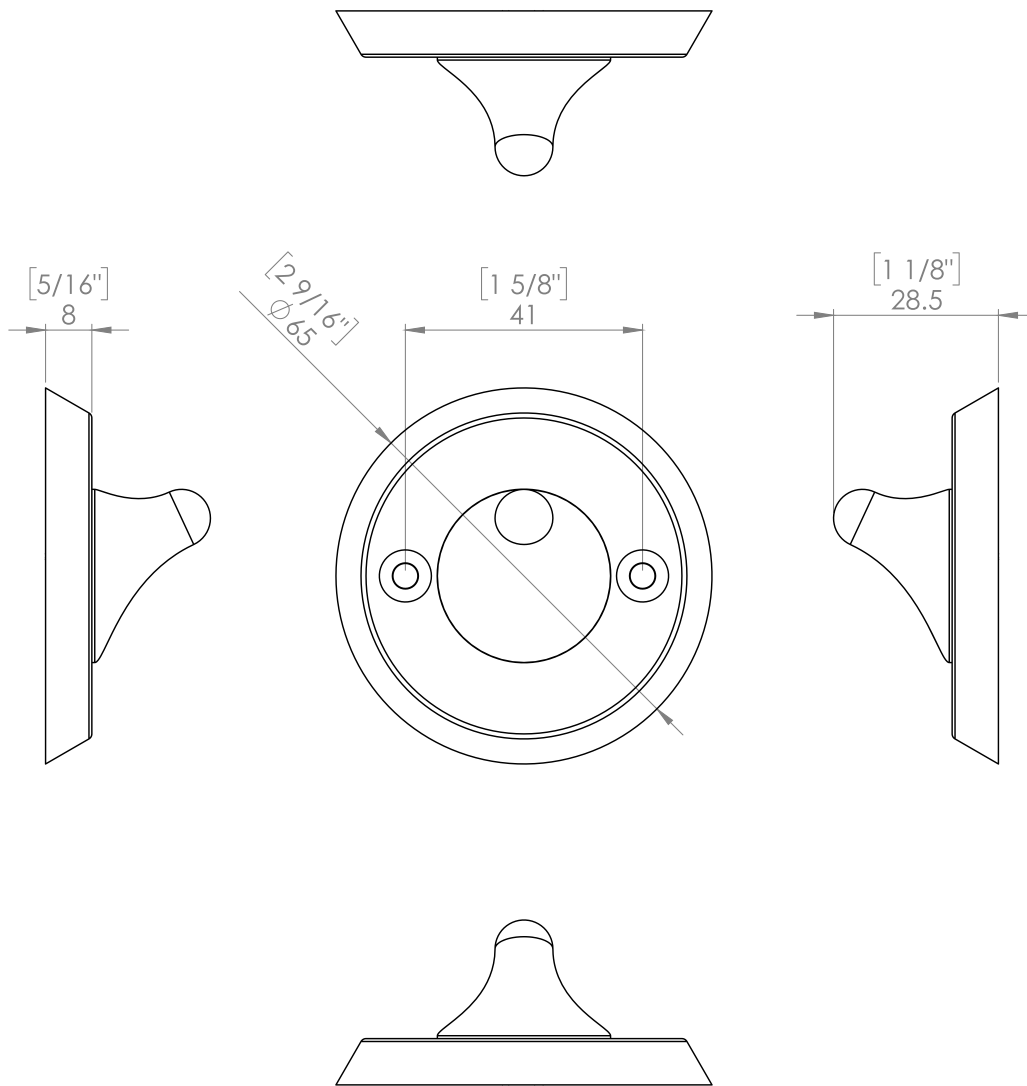
KG180 CR (Cream) Anti-Ligature Coat Hook

KG180 GR (Grey) Anti-Ligature Coat Hook

KG180 BE (Beige) Anti-Ligature Coat Hook

PRODUCT DIAGRAM

# KG180 Anti-Ligature Coat Hook



**Terms and conditions:**

To see our full terms and conditions, please visit: [kingswaygroupglobal.com/en-au/terms](https://kingswaygroupglobal.com/en-au/terms)