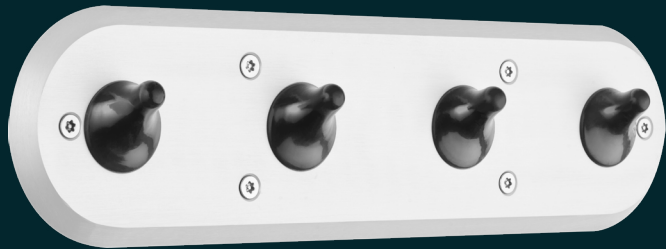


PRODUCT DATASHEET

KG178 Anti-Ligature Quad Coat Hook Rack

The quad coat and towel hook rack has four flexible hooks with low release thresholds made from a low shore rating, high silicone content rubber. The hooks are secured by a stainless steel surround and fixed by six security screws that pass through both the surround and the rubber.



Terms and conditions:

To see our full terms and conditions, please visit:
kingswaygroupglobal.com/en-au/terms

Your Partner in Patient Safety

Installation Description

- Mark out the six fixing holes using the template provided
- Drill all fixing holes using suitable wall plugs where necessary
- Secure in place using the six security screws provided

Operation and Maintenance

Operation

Designed for garments and towels up to 6kg in weight. The hooks will release under additional weight.

Maintenance

Periodic checks should be made to ensure the screws remain tight and that the rubber has not been damaged.

Cleaning

Clean using a non-abrasive sanitising agent. Abrasive cleaning cloth and agents should be avoided.

Warranty

1 Year Manufacturer's Defect Warranty*

*For faulty manufacture and not for damage

Specification

KG178 BK (Black) Anti-Ligature Quad Coat Hook Rack

KG178 BL (Blue) Anti-Ligature Quad Coat Hook Rack

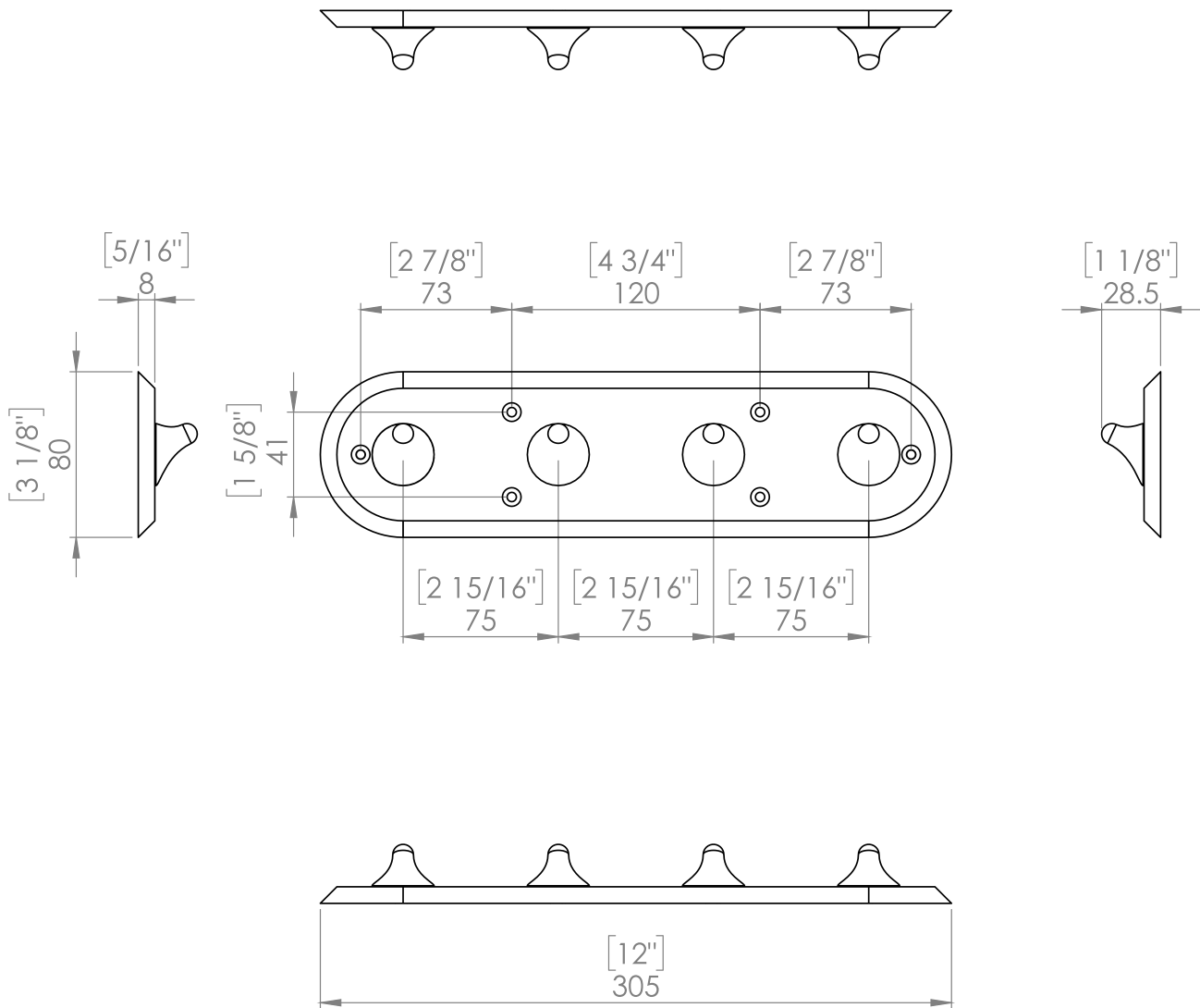
KG178 CR (Cream) Anti-Ligature Quad Coat Hook Rack

KG178 GR (Grey) Anti-Ligature Quad Coat Hook Rack

KG178 BE (Beige) Anti-Ligature Quad Coat Hook Rack

PRODUCT DIAGRAM

KG178 Anti-Ligature Quad Coat Hook Rack



Terms and conditions:

To see our full terms and conditions, please visit: kingswaygroupglobal.com/en-au/terms