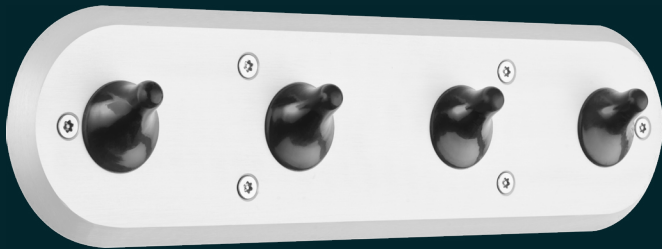


PRODUCT DATASHEET

# KG178 Anti-Ligature Quad Coat Hook Rack

The quad coat and towel hook rack has four flexible hooks with low release thresholds made from a low shore rating, high silicone content rubber. The hooks are secured by a stainless steel surround and fixed by six security screws that pass through both the surround and the rubber.



## Terms and conditions:

To see our full terms and conditions, please visit:  
[kingswaygroupglobal.com/en-au/terms](https://kingswaygroupglobal.com/en-au/terms)

# Your Partner in Patient Safety

## Installation Description

- Mark out the six fixing holes using the template provided
- Drill all fixing holes using suitable wall plugs where necessary
- Secure in place using the six security screws provided

## Operation and Maintenance

### Operation

Designed for garments and towels up to 6kg in weight. The hooks will release under additional weight.

### Maintenance

Periodic checks should be made to ensure the screws remain tight and that the rubber has not been damaged.

### Cleaning

Clean using a non-abrasive sanitising agent. Abrasive cleaning cloth and agents should be avoided.

## Guarantee

### 5 Year Guarantee\*

\*For faulty manufacture and not for damage

### Specification

KG178 BK (Black) Anti-Ligature Quad Coat Hook Rack

KG178 BL (Blue) Anti-Ligature Quad Coat Hook Rack

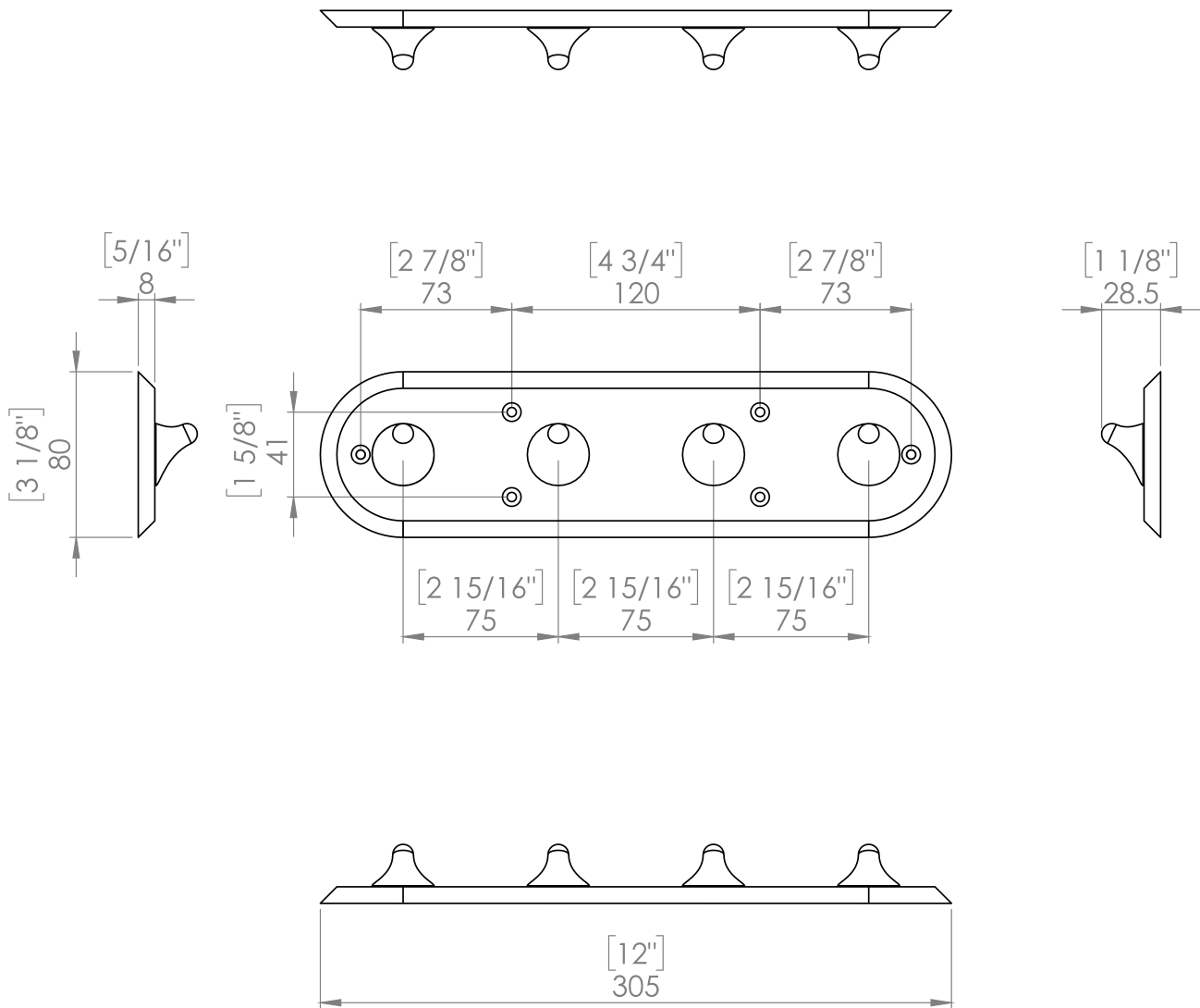
KG178 CR (Cream) Anti-Ligature Quad Coat Hook Rack

KG178 GR (Grey) Anti-Ligature Quad Coat Hook Rack

KG178 BE (Beige) Anti-Ligature Quad Coat Hook Rack

PRODUCT DIAGRAM

# KG178 Anti-Ligature Quad Coat Hook Rack



**Terms and conditions:**

To see our full terms and conditions, please visit: [kingswaygroupglobal.com/en-au/terms](https://kingswaygroupglobal.com/en-au/terms)