

PRODUCT DATASHEET

KG175-176 Security Escutcheons

The stainless steel security escutcheon gives maximum protection to euro profile cylinders and is available to suit both double and half sizes. Supplied with security screws for the face fix version and three lengths of security bolts for the bolt fix version, they are versatile products to suit a wide range of door thicknesses.



Terms and conditions:

To see our full terms and conditions, please visit:
kingswaygroupglobal.com/en-au/terms

Your Partner in Patient Safety

Installation Description

- Place the escutcheon with the countersunk holes over the protruding cylinder and drill two clearance holes for the bolts
- Fix the escheon in place making sure to select the correct length bolts to suit the door thickness

Operation and Maintenance

Operation

Designed to give maximum protection to the cylinder and to remove ligature risk from the cylinder.

Maintenance

Periodic checks should be made to ensure the fixings remain tight.

Cleaning

Clean using a non-abrasive sanitising agent. Abrasive cleaning cloth and agents should be avoided.

Guarantee

5 Year Guarantee*

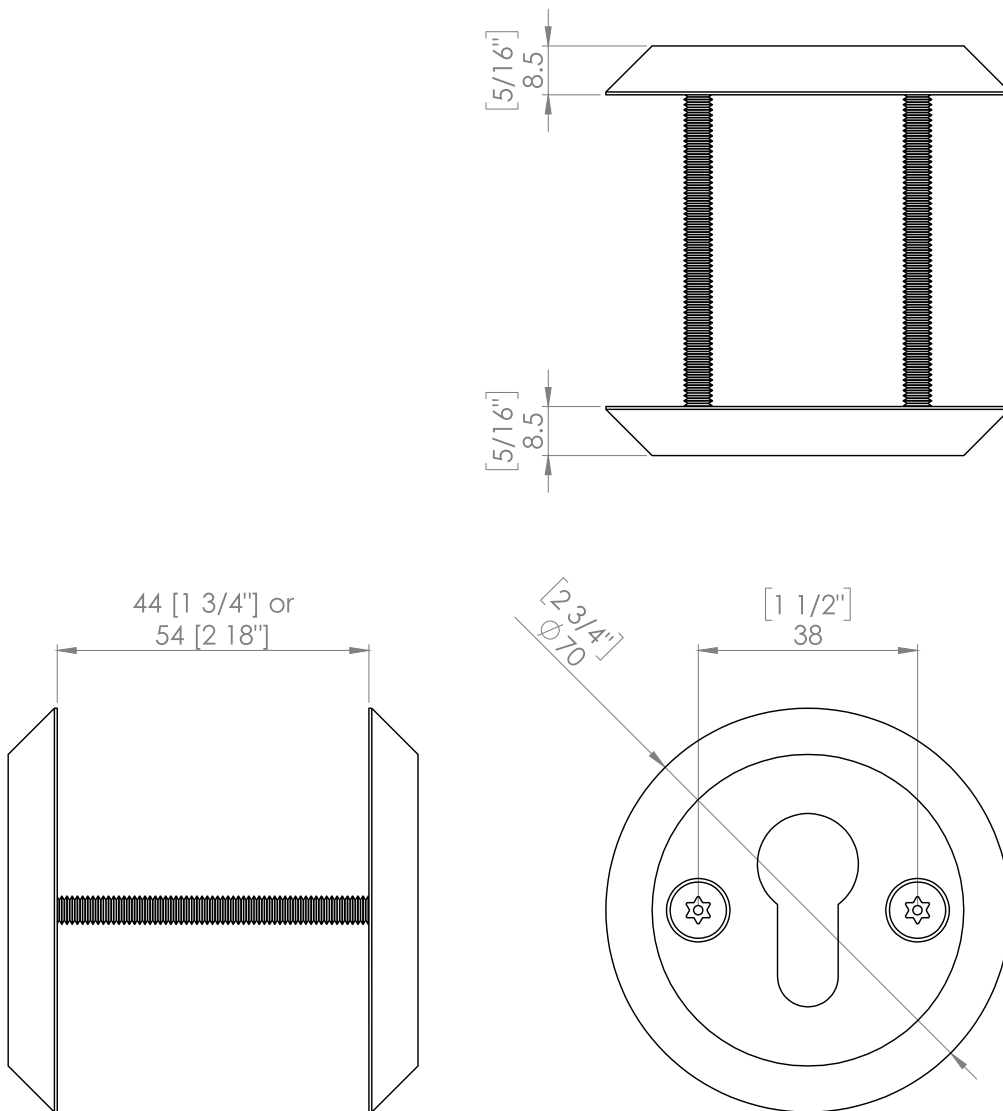
*For faulty manufacture and not for damage

Specification

KG175 Bolt Fix Security Escutcheon Pair
KG176 Face Fix Security Escutcheon

PRODUCT DIAGRAM

KG175-176 Security Escutcheons



Terms and conditions:

To see our full terms and conditions, please visit: kingswaygroupglobal.com/en-au/terms