

PRODUCT DATASHEET

KG165 Safe Serve Tray Hatch With 3-Point Lock

The Safe Serve Tray Hatch is a high secure unit that is installed into doors to provide a secure tray serving solution. Manufactured to allow items up to 374mm wide to be passed into a room without needing to open the door for communications or patient serving. Secured with security bolts from the fascia on staff side and no visible fixings on patient side.



Terms and conditions:

To see our full terms and conditions, please visit:
kingswaygroupglobal.com/en-au/terms

Your Partner in Patient Safety

Installation Description

The KG165 Safe Serve Tray Hatch is only supplied as part of a Kingsway Group Complete Door System where all components are fitted and tested in the production process.

Operation and Maintenance

Operation

To pass an object through the wall, unlock the hatch using the staff key or optional lever handle and swing down into the open position. Pass the object or communicate through the hatch before closing and locking.

Maintenance

Light lubricant can be used on moving parts where necessary. Periodic checks should be made to ensure the fixings are secure and that the unit has not been tampered with.

Cleaning

Clean with a non-abrasive sanitising agent. Avoid the use of caustic cleaners.

Guarantee

5 Year Guarantee*

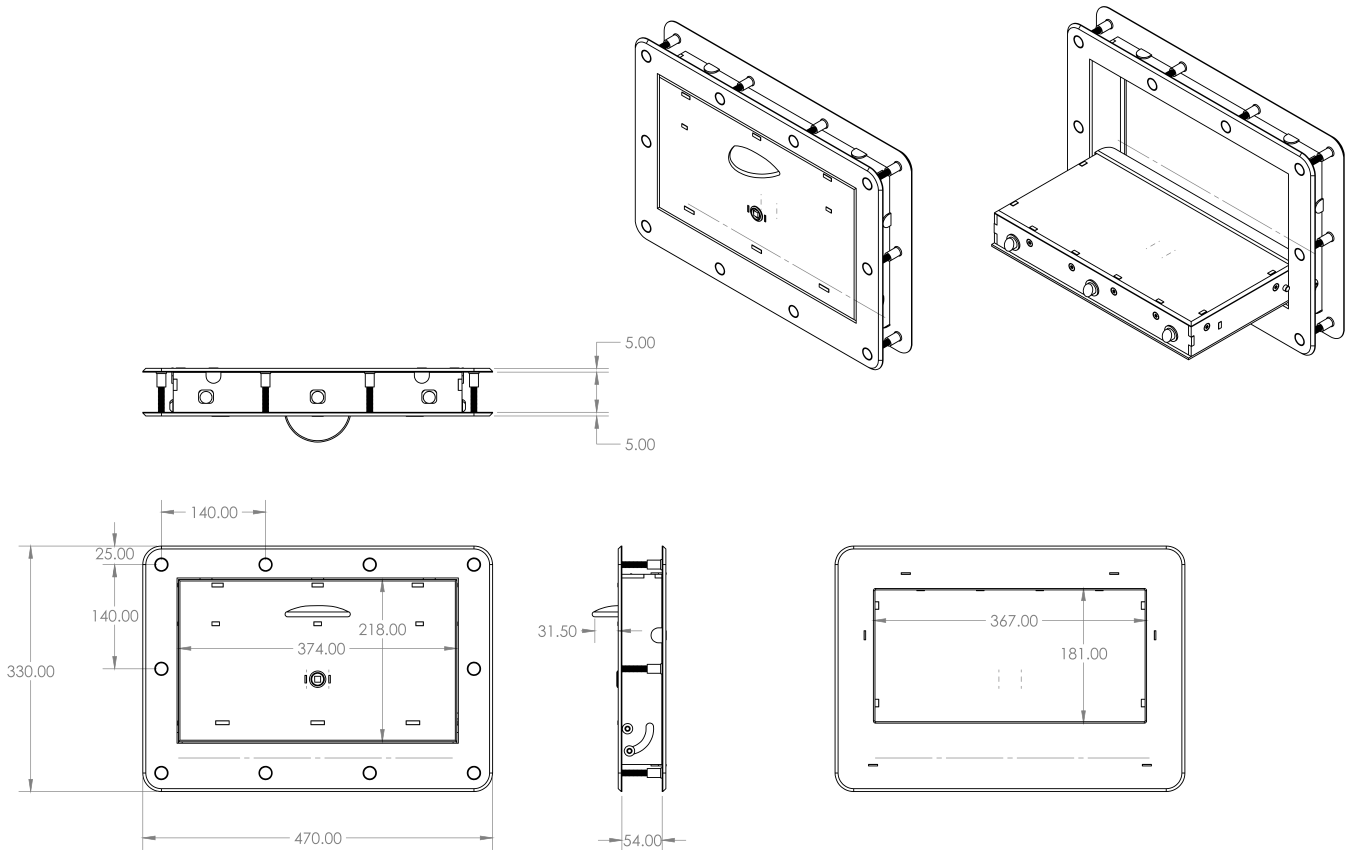
*For faulty manufacture and not for damage

Specification

KG165 Safe Serve Tray Hatch With 3-Point Lock 54mm

PRODUCT DIAGRAM

KG165 Safe Serve Tray Hatch With 3-Point Lock



Terms and conditions:

To see our full terms and conditions, please visit: kingswaygroupglobal.com/en-au/terms