

PRODUCT DATASHEET

KG03 Toilet Roll Holder

A surface-mounted toilet roll holder that is secure, effective and anti-ligature by design. Manufactured from 316 grade stainless steel for maximum corrosion resistance and secured with anti-tamper screws.



Terms and conditions:

To see our full terms and conditions, please visit:
kingswaygroupglobal.com/en-au/terms

Your Partner in Patient Safety

Installation Description

- Mark out the location of the dispenser
- Drill and plug holes to a suitable depth
- Secure in place using the security screws provided

We recommend that you caulk around all sides with tamper proof security sealant.

Operation and Maintenance

Operation

Place a toilet roll in to the opening and locate it so that it is locked in both dimples, allowing the toilet roll to rotate. Care should be taken that the correct size roll is purchased, otherwise it will result in poor performance.

Maintenance

Periodic checks should be made to the screws to ensure that they are secure and that there are no signs of damage or tampering.

Cleaning

Should be cleaned as part of regular schedule using mild (non-abrasive) detergents. Avoid acidic cleaners.

Guarantee

5 Year Guarantee*

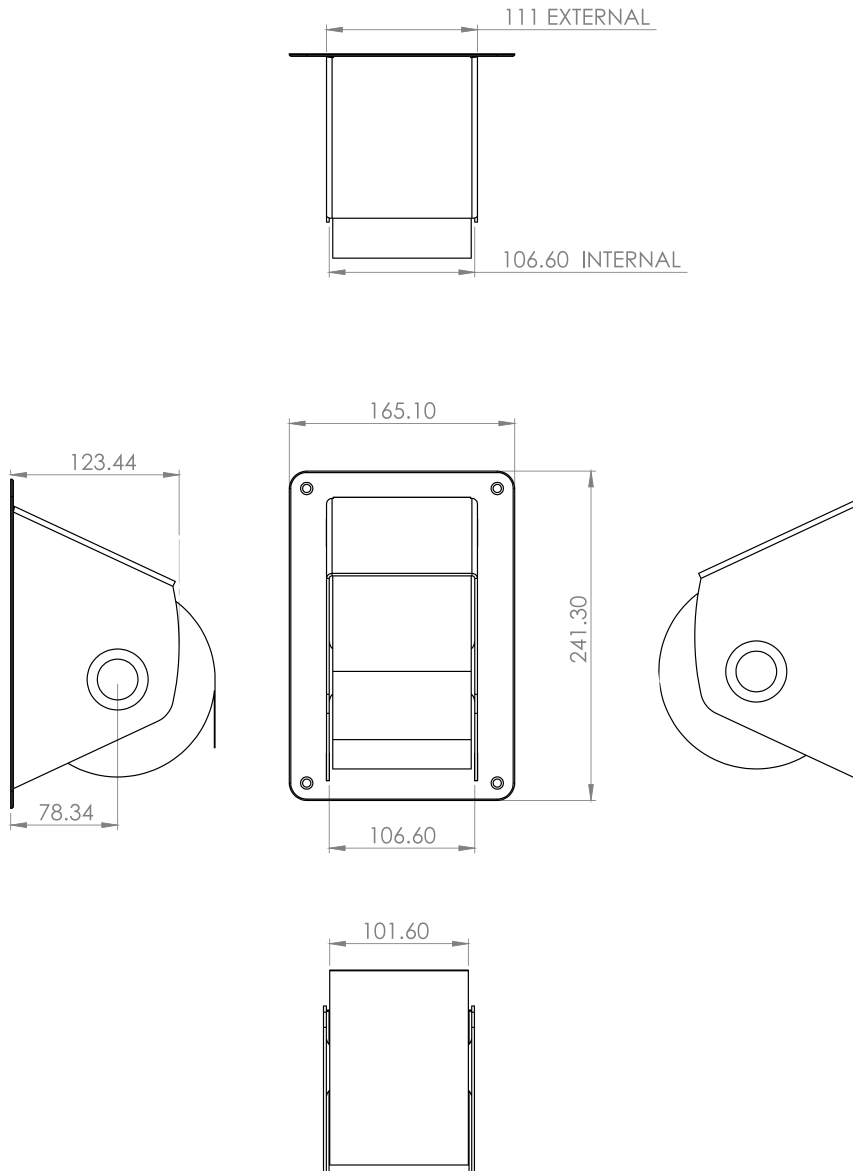
*For faulty manufacture and not for damage

Specification

KG03 Surface Mounted Toilet Roll Holder

PRODUCT DIAGRAM

KG03 Toilet Roll Holder



Terms and conditions:

To see our full terms and conditions, please visit: kingswaygroupglobal.com/en-au/terms