

PRODUCT DATASHEET

KG187M Floor Door Stop with Magnet

The KG187-M is a highly durable, ligature-resistant doorstop that features a flush-fitted magnet capable of holding the door leaf in the open position. Manufactured from cast aluminum, the door stop provides full support to the door leaf and safely prevents both over-extension and impacts with adjacent surfaces.



Terms and conditions:

To see our full terms and conditions, please visit:
kingswaygroupglobal.com/en-us/terms

Your Partner in Patient Safety

Installation Description

- Mark out the area where the door stop is to be fitted
- Drill four holes
- Fix into place using the security screws provided and a suitable anchor if required

Maintenance and Cleaning

Maintenance

Periodic checks should be made to ensure the screws remain tight and that the unit has not been damaged.

Cleaning

Clean using a non-abrasive sanitizing agent. Abrasive cleaning cloth and agents should be avoided.

Warranty

1 Year Manufacturer's Defect Warranty*

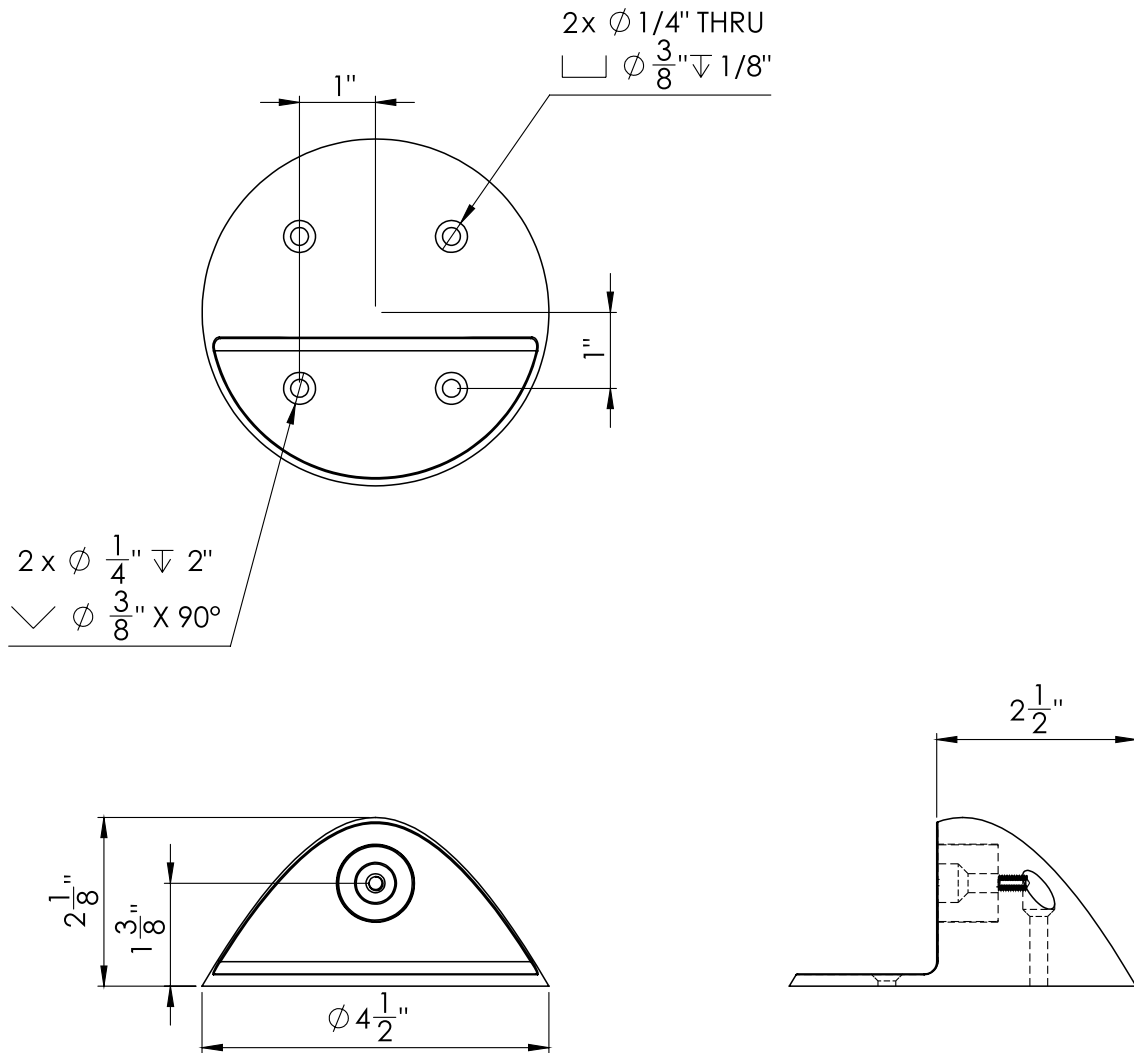
*For faulty manufacture and not for damage

Specification

KG187(M) Floor Mounted Door Stop with Magnet

PRODUCT DIAGRAM

KG187M Floor Door Stop with Magnet



Terms and conditions:

To see our full terms and conditions, please visit: kingswaygroupglobal.com/en-us/terms