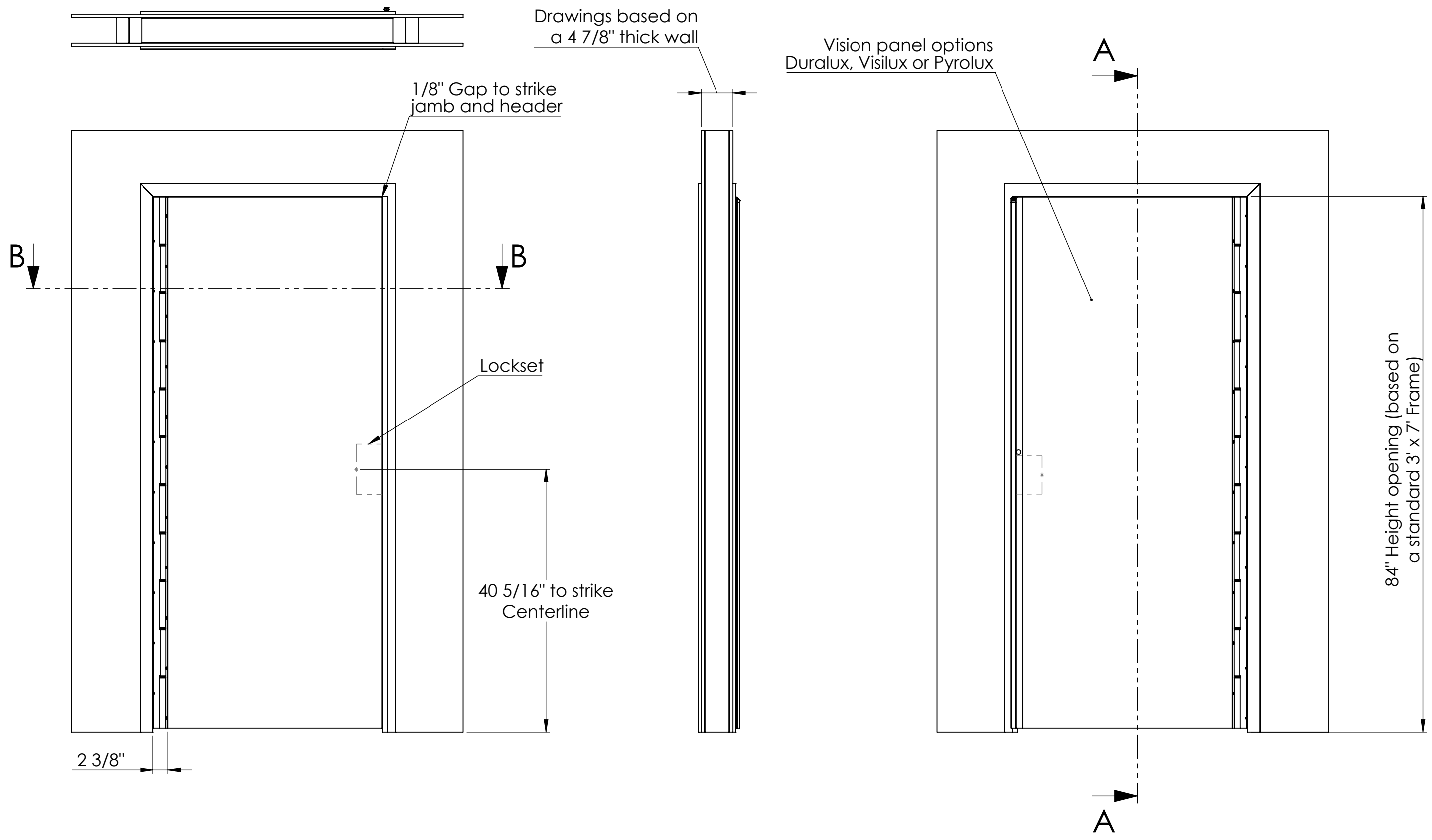


Elevations



SWING Anti-Barricade
Door System
Code: SWD01-SWD02

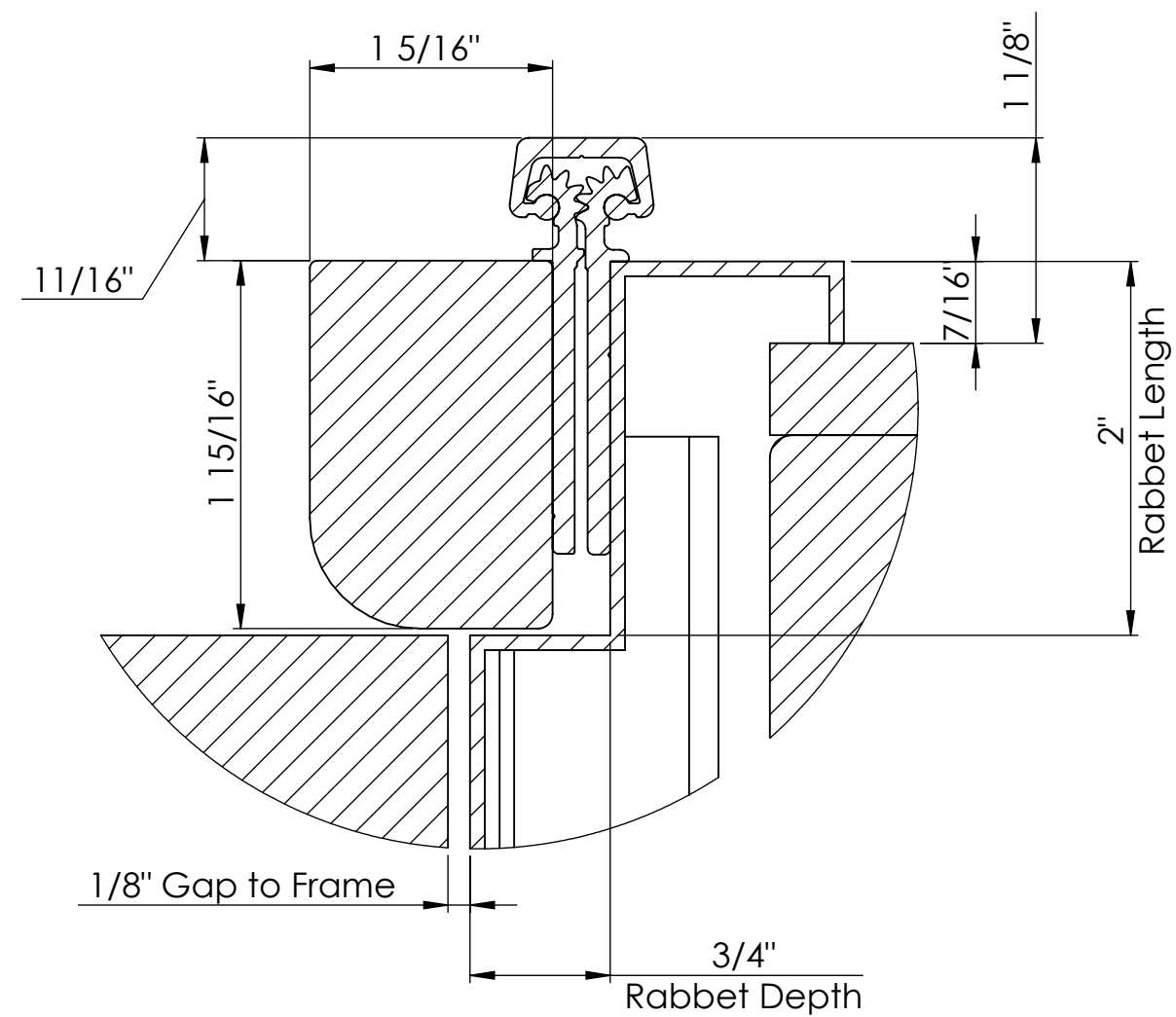
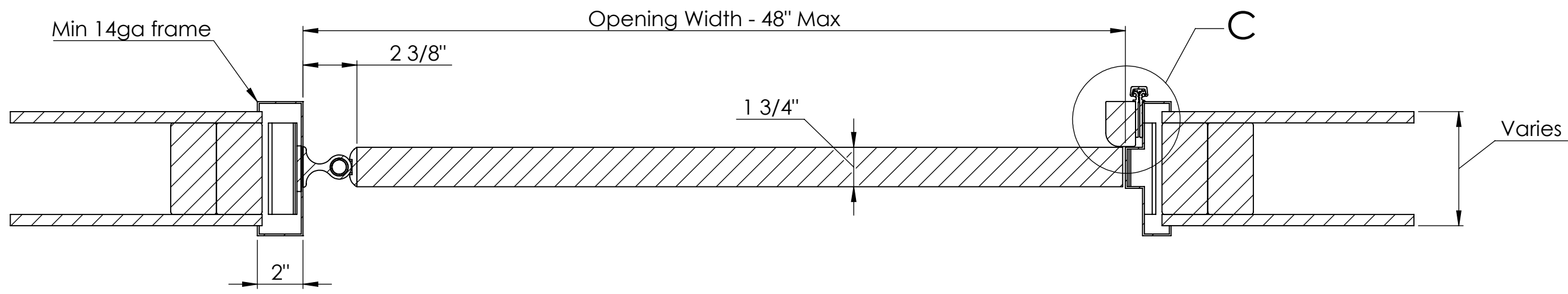


sales@kingswaygroupglobal.com
www.kingswaygroupglobal.com

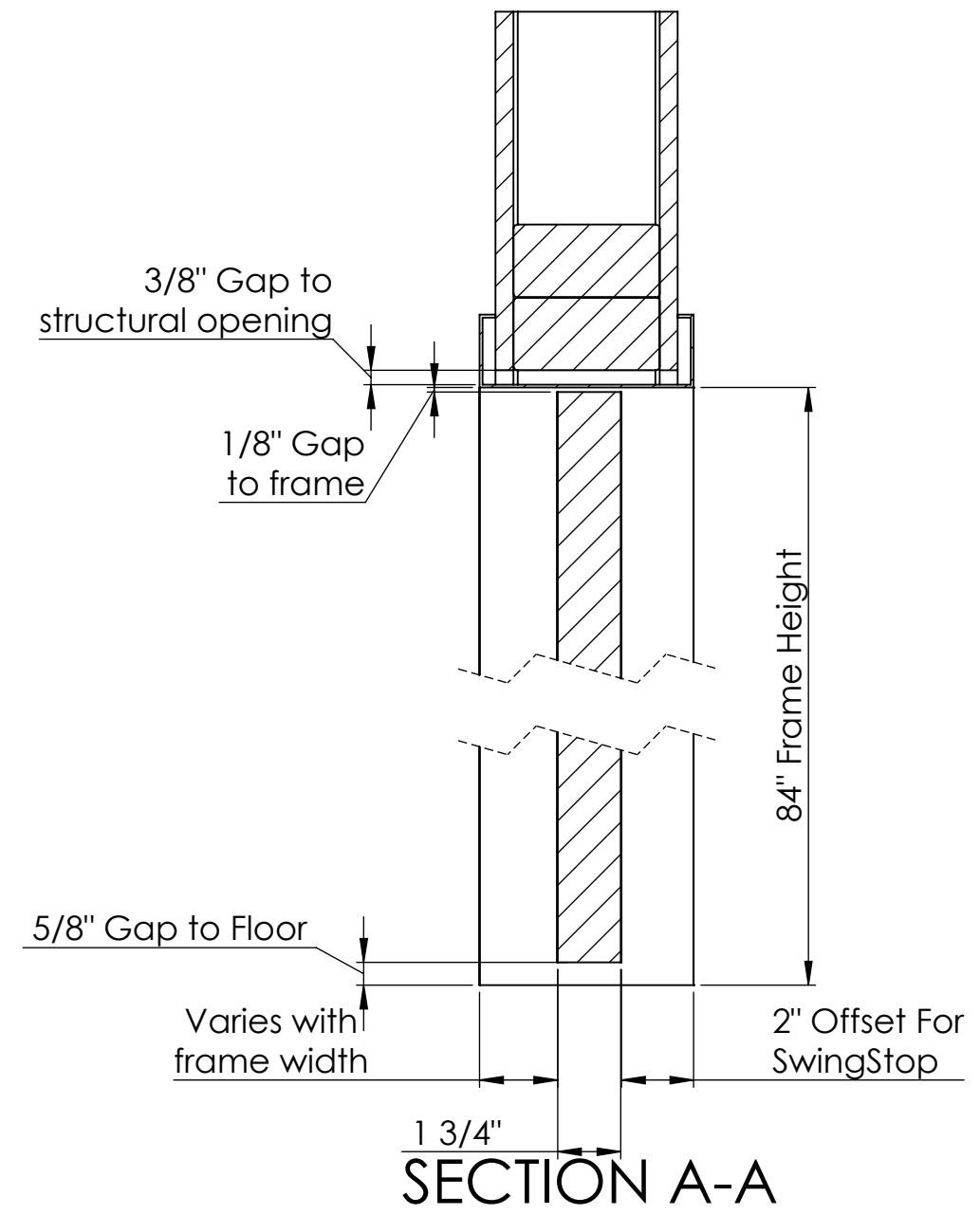
Single Rabbet - SWD01

SECTION B-B

1 3/4" Door Details



DETAIL C



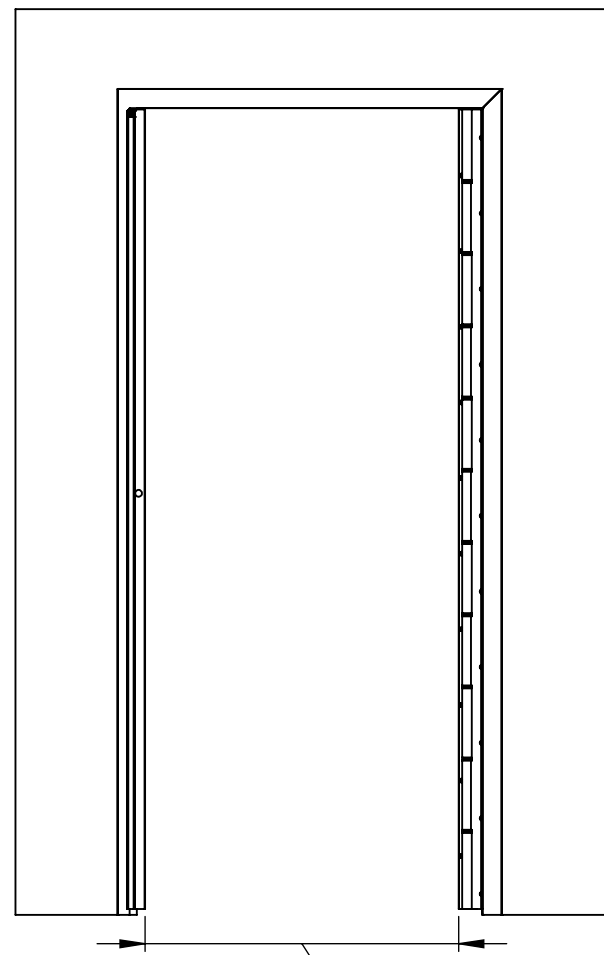
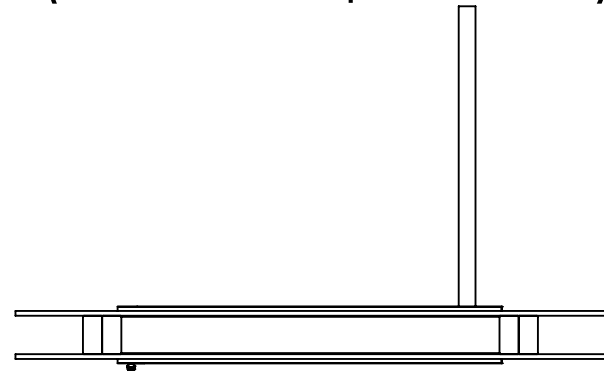
SECTION A-A

SWING Anti-Barricade Door System - Single Rabbet
Code: SWD01



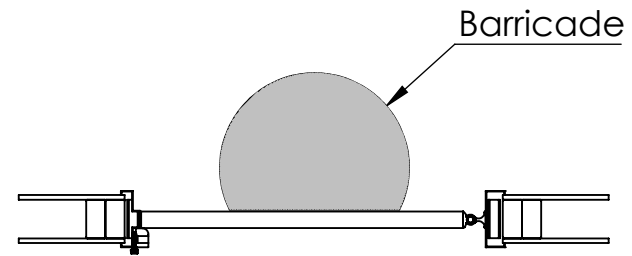
sales@kingswaygroupglobal.com
www.kingswaygroupglobal.com

Inward Opening Function (Normal Operation)

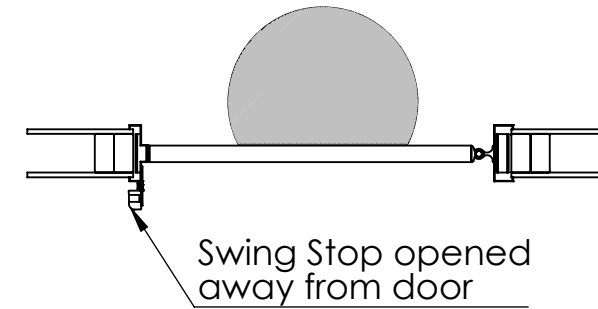


32 11/16" Clear Opening in normal operation based on a 36" frame

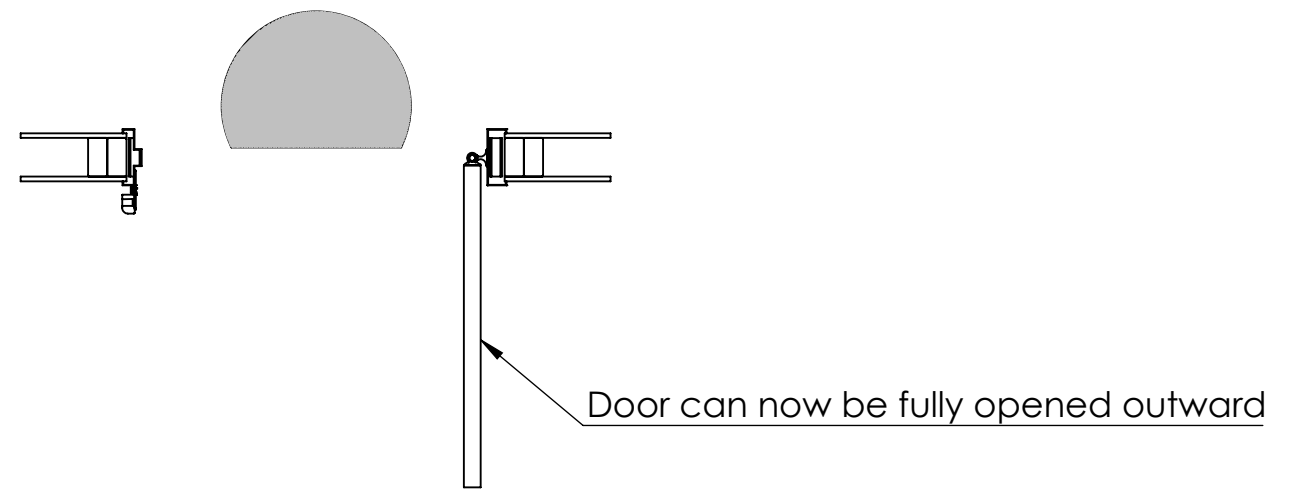
Anti Barricade Opening Stage 1



Anti Barricade Opening Stage 2



Anti Barricade Opening Stage 3



SWING Anti-Barricade Door System
Code: SWD01-SWD02



sales@kingswaygroupglobal.com
www.kingswaygroupglobal.com

Single Rabbet Frame Details for SWD01

