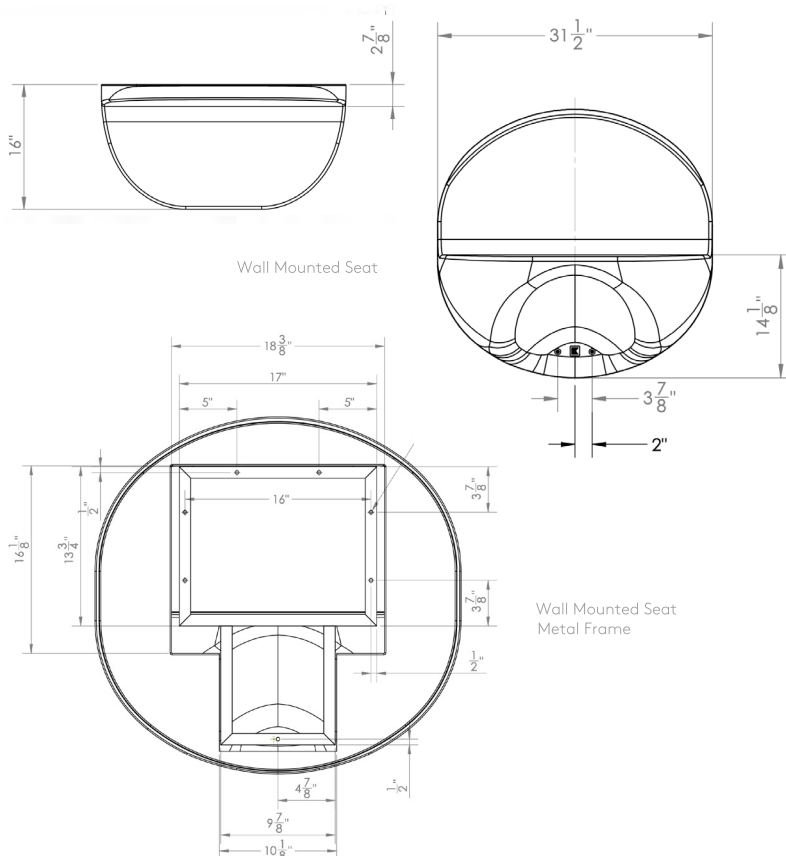
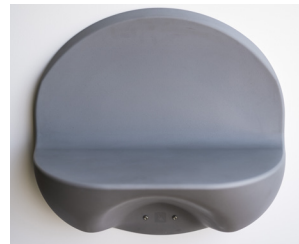


KG28 Ligature Resistant Wall Mounted Seat



Product datasheet



Wall Mounted Seat

Wall Mounted Seat Metal Frame

Anti-ligature Disclaimer

Anti-ligature Disclaimer The anti-ligature design characteristics of this product are not intended to replace or substitute the need for necessary supervision of those who may be at risk, or for other necessary protective measures to be taken in the specific circumstances of usage. Kingsway Group, Inc. does not offer any products for sale as being 'ligature-free' and will not be liable for any claims arising from ligature attachment on its products. It is the customer's responsibility to ensure that products purchased and installed are suitable for the environments they are installed in.

A high-strength seating solution that's ligature-resistant by design, the KG28 is a multipurpose wall mounted seat built for lasting performance in behavioral health washroom facilities, communal spaces, and more.

Made from a rotomolded exterior, the unique behavioral health seat features a high-strength stainless steel interior frame that securely fixes to the wall, ensuring it can safely support substantial weight (rated to 800lbs) while minimizing the risk of patient self-harm.

The KG28 is manufactured from an anti-microbial material to assist with infection control in clinical spaces. It has been tested in line with ISO 22196:2011, achieving the following:

- S.aureus – Over 99.8% effective
- E.coli – Over 99.9% effective

Installation Description

- Place out the location of the seat on the wall and mark for the screws
- Drill holes for screws provided, allowing for anchors to suit wall construction type
- Attach metal frame securely to the wall
- Place the exterior seat casing onto the metal frame and push to secure into position
- Fix the seat to the metal frame using the screws provided
- Seal the outer perimeter with anti-pick mastic (not supplied)

Maintenance

Periodically check edging of casing and the two visible fixing bolts to ensure the product is securely fastened to the wall.

Cleaning

Should be cleaned as part of regular schedule using standard detergents or disinfectants, avoid acidic cleaners and abrasive pads.

Architectural specification

KG28 Ligature Resistant Wall Mounted Seat.

Patent No.: US D895,922 S

Date of Patent: ** Sep. 15. 2020