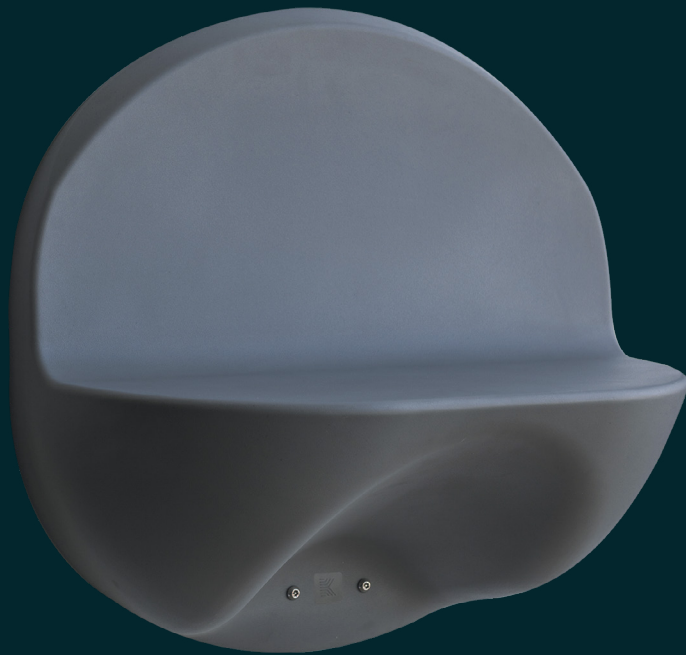


PRODUCT DATASHEET

KG28 Ligature-Resistant Wall Mounted Seat

The KG28 Wall Mounted Seat is a high-strength, ligature-resistant seating solution designed for patient use in behavioral healthcare environments, including washrooms, communal spaces, and more.

Rated to 800lbs, the KG28 delivers exceptional robustness in challenging environments and features a high-strength internal stainless steel frame that securely fixes the seat to the wall.



Terms and conditions:

To see our full terms and conditions, please visit:
kingswaygroupglobal.com/en-us/terms

Anti-Microbial

To improve infection control in clinical spaces, the KG28 is manufactured from an anti-microbial material, and has been tested in line with ISO 22196:2011, achieving the following:

- S.aureus – Over 99.8% effective
- E.coli – Over 99.9% effective

Installation Description

- Place out the location of the seat on the wall and mark for the screws
- Drill holes for screws provided, allowing for anchors to suit wall construction type
- Attach the metal frame securely to the wall
- Place the exterior seat casing onto the metal frame and push to secure into position
- Fix the seat to the metal frame using the screws provided
- Seal the outer perimeter with pick-resistant caulk (not supplied)

Maintenance and Cleaning

Maintenance

Periodically check edging of casing and the two visible fixing bolts to ensure the product is securely fastened to the wall.

Cleaning

Should be cleaned as part of regular schedule using mild (non-abrasive) detergents. Avoid acidic cleaners.

Warranty

1 Year Manufacturer's Defect Warranty*

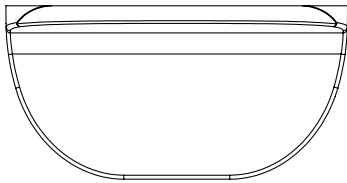
*For faulty manufacture and not for damage

Specification

KG28 Ligature Resistant Wall Mounted Seat

PRODUCT DIAGRAM

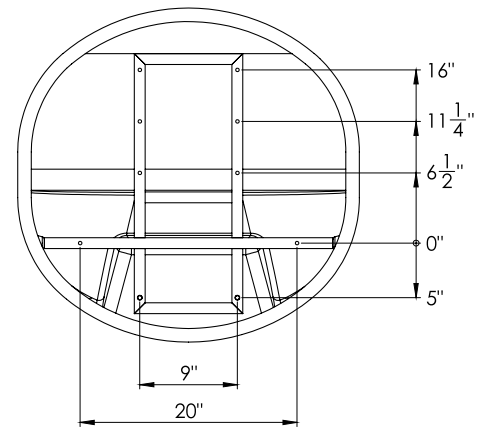
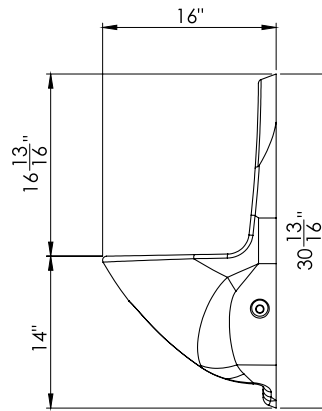
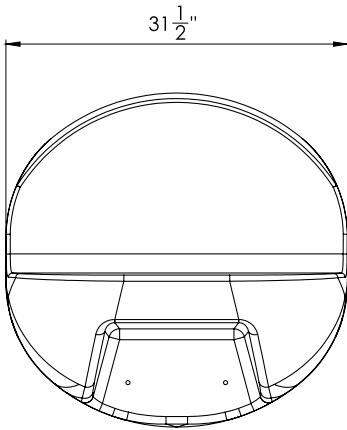
KG28 Ligature-Resistant Wall Mounted Seat



Patent Information

Patent No.: US D895, 922 S

Date of Patent: **Sep. 15. 2020



Terms and conditions:

To see our full terms and conditions, please visit: kingswaygroupglobal.com/en-us/terms