

PRODUCT DATASHEET

KG279 L-Shape Grab Bar

An L-Shape Ligature-Resistant Handrail with two open end caps to improve patient safety in high-risk areas. Ligature resistant by design, the KG279 is suitable for use in patient areas of behavioral health facilities. It is manufactured from aluminum to provide high-strength and durable performance in challenging environments and is finished in a powder coating with a range of color options available. The overall length is 30" with the end caps accounting for 3". Supplied with security screws.



Terms and conditions:

To see our full terms and conditions, please visit:
kingswaygroupglobal.com/en-us/terms

Installation Description

- Place the Grab Bar on the wall and mark out the screw hole locations
- Drill holes for the points and insert suitable anchors
- Fix the Grab Bar in place using the security screws provided

We recommend that you apply pick-resistant security sealant around the perimeter of the unit.

Operation and Maintenance

Operation

To grip the handrail correctly, the fingers should curl around the bar with the thumb supporting from the outside.

Maintenance

Periodic checks should be made to ensure the Grab Bar is free from damage and that the screws remain secure.

Cleaning

Should be cleaned as part of regular schedule using mild (non-abrasive) detergents. Avoid acidic cleaners.

Guarantee

3 Year Guarantee*

*For faulty manufacture and not for damage

Specification

KG270 Anti-ligature L-Shape Grab Bar (One Wall)

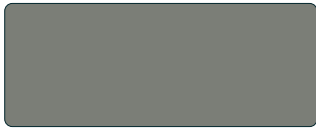
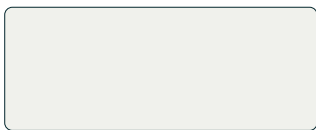
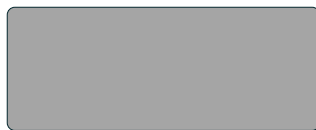
This product is listed in the OMH patient safety guide. Include "G" after model number if size being specified is required to be 'Graspable' Length (ex: KG270LH.G).

PRODUCT DATASHEET

KG279 L-Shape Grab Bar Finishes

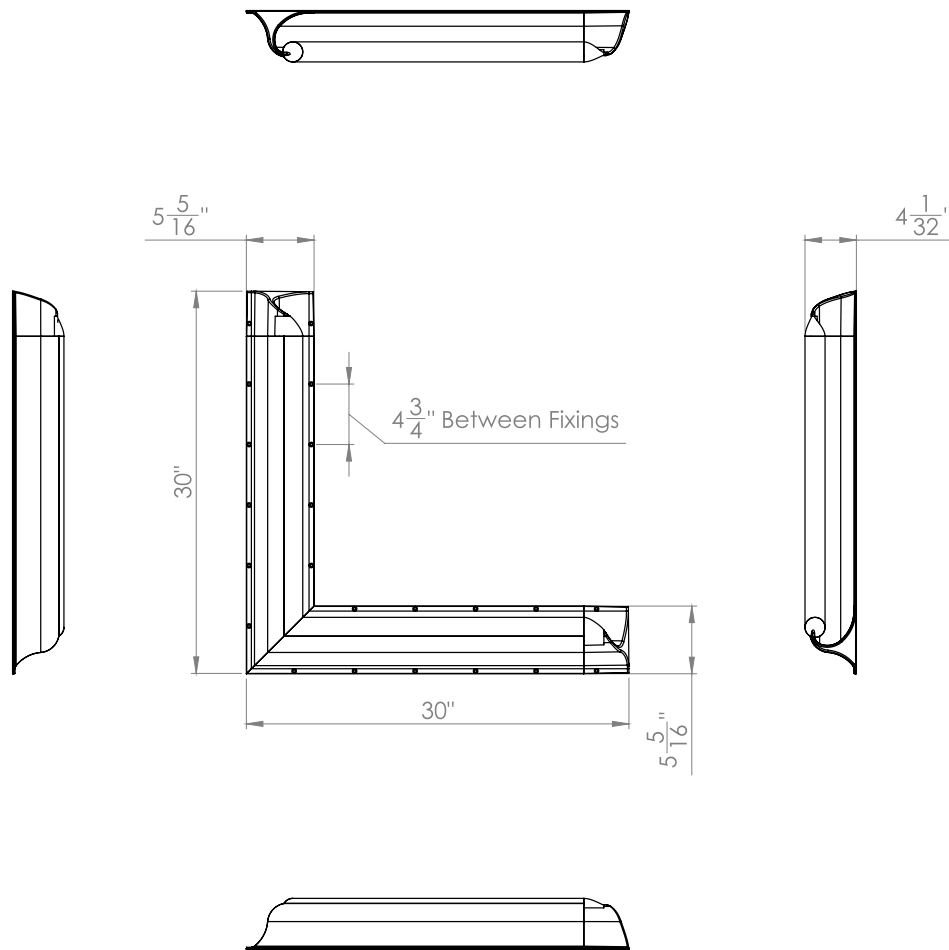
Available in RAL K7-Classic Series Powder Coatings (excluding Fluorescent and Metallic Powder Coatings)

Powder Coating:

Oyster White
RAL 1013Light Ivory
RAL 1015Gray Beige
RAL 1019Brilliant Blue
RAL 5007Concrete Gray
RAL 7023Pebble Gray
RAL 7032Light Gray
RAL 7035Gray White
RAL 9002Signal White
RAL 9003White Aluminum
RAL 9006

PRODUCT DIAGRAM

KG279 L-Shape Grab Bar



Terms and conditions:

To see our full terms and conditions, please visit: kingswaygroupglobal.com/en-us/terms