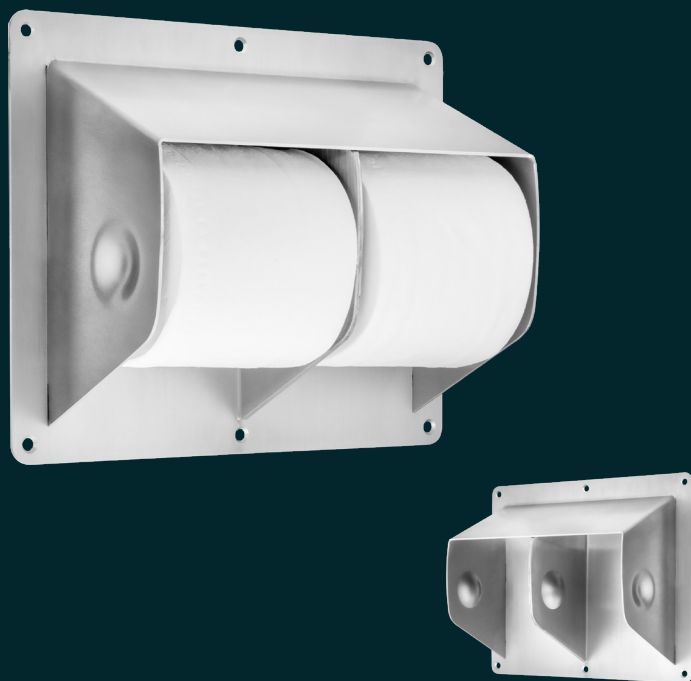


PRODUCT DATASHEET

KG23 KORE Toilet Roll Holder

A ligature-resistant surface-mounted twin toilet roll holder designed for use in behavioral health washrooms to improve patient safety. The surface-mounted unit is manufactured from 14GA 316 grade stainless steel, providing durable performance and maximum corrosion resistance. Models available to suit 4" wide and 4.5" wide rolls and secured with tamper-resistant screws.



Terms and conditions:

To see our full terms and conditions, please visit:
kingswaygroupglobal.com/en-us/terms

Installation Description

- Place the unit on the wall and mark out the screw hole locations
- Drill holes for the provided screws and insert suitable anchors
- Secure the toilet roll holder to the wall using the security screws provided

We recommend that you apply pick-resistant security sealant around the perimeter of the unit.

Operation and Maintenance

Operation

Place a toilet roll in to the opening and locate it so that it is locked in both dimples, allowing the toilet roll to rotate. Care should be taken that the correct size roll is purchased, otherwise it will result in poor performance.

Maintenance

Periodic checks should be made to the screws to ensure that they are secure and that there are no signs of damage or tampering.

Cleaning

Should be cleaned as part of regular schedule using mild (non-abrasive) detergents. Avoid acidic cleaners.

Warranty

1 Year Manufacturer's Defect Warranty*

*For faulty manufacture and not for damage

Specification

KG23 KORE Anti-ligature surface mounted toilet roll dispenser with security screws, specify model for roll width.

Specify model for roll width - 4" is standard

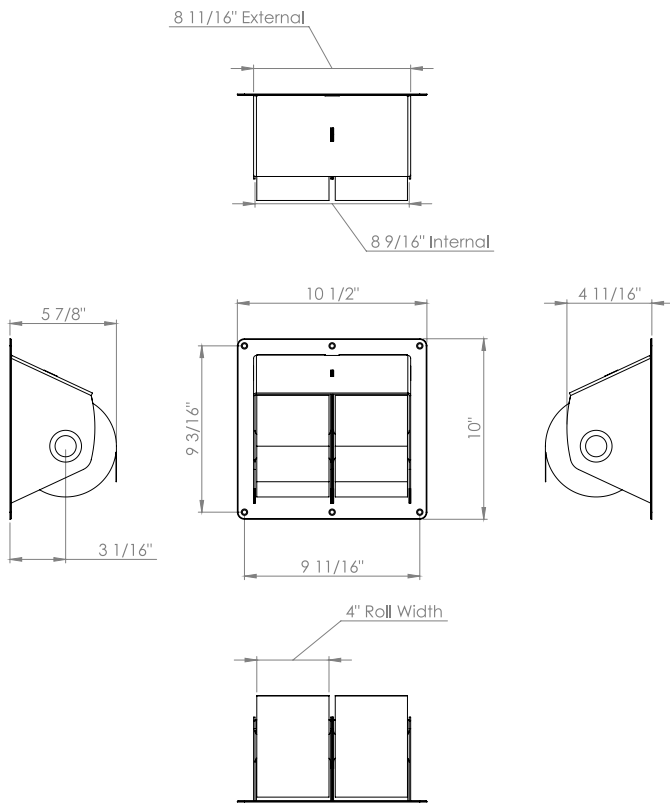
KG23.4 KORE Surface Mounted Toilet Roll Holder - to suit 4" rolls

KG23.45 KORE Surface Mounted Toilet Roll Holder - to suit 4.5" rolls

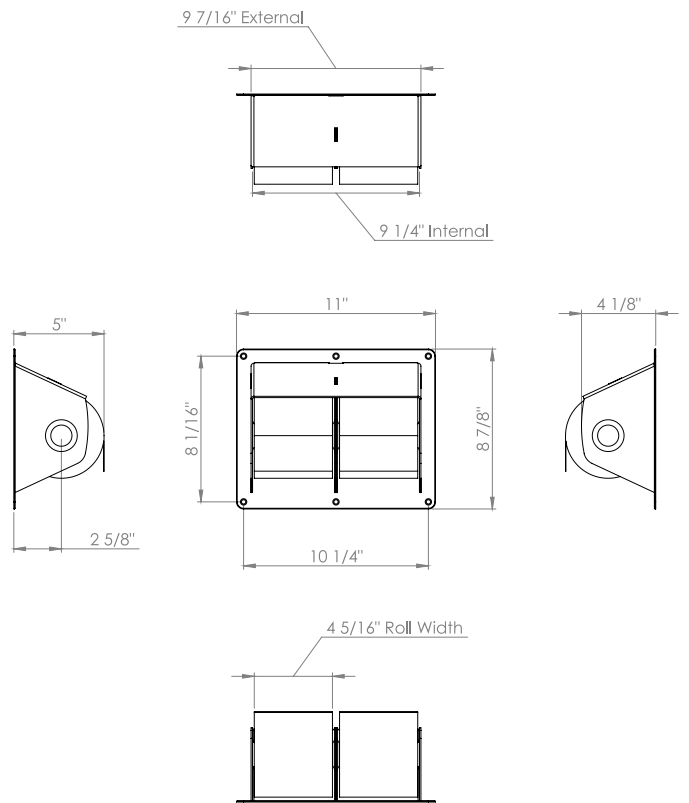
PRODUCT DIAGRAM

KG23 KORE Toilet Roll Holder

KG23.4 KORE Toilet Roll Holder - to suit 4" rolls



KG23.45 KORE Toilet Roll Holder - to suit 4.5" rolls



Terms and conditions:

To see our full terms and conditions, please visit: kingswaygroupglobal.com/en-us/terms