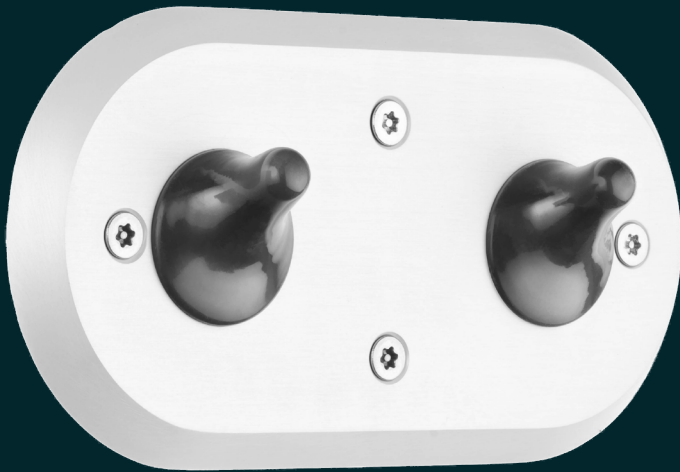


PRODUCT DATASHEET

KG177 Ligature Resistant Dual Coat Hook Rack

The KG177 is a ligature-resistant dual coat & towel rack featuring two flexible hooks with low release thresholds. The flexible hooks are made from a low shore rating rubber with a high silicone content and are secured by a stainless steel surround, fixed by four security screws that pass through both the surround and the rubber. Available in a selection of colors to suit your environment.



Terms and conditions:

To see our full terms and conditions, please visit:
kingswaygroupglobal.com/en-us/terms

Your Partner in Patient Safety

Installation Description

- Mark out the (4) fixing holes using the template provided
- Drill the (4) fixing holes for the provided security screws and insert suitable anchors
- Secure in place using the (4) security screws

We recommend that you apply tamper proof caulking around the perimeter of the unit.

Operation and Maintenance

Operation

Designed for use with garments and towels and will release under load. Load release tested to meet National Standards.

Maintenance

Periodic checks should be made to ensure the screws remain tight and that the rubber has not been damaged.

Cleaning

Clean using a non-abrasive sanitizing agent. Abrasive cleaning cloth and agents should be avoided.

Guarantee

3 Year Guarantee*

*For faulty manufacture and not for damage

Specification

KG177 ligature-resistant dual coat and towel rack supplied with security screws.

This is a patented product to U.S. patent #D860767

PRODUCT DATASHEET

KG177 Dual Coat Hook Rack Colors

Colors Codes:



KG177BK (Black) Ligature-Resistant Coat Rack



KG177GR (Grey) Ligature-Resistant Coat Rack



KG177CR (Cream) Ligature-Resistant Coat Rack



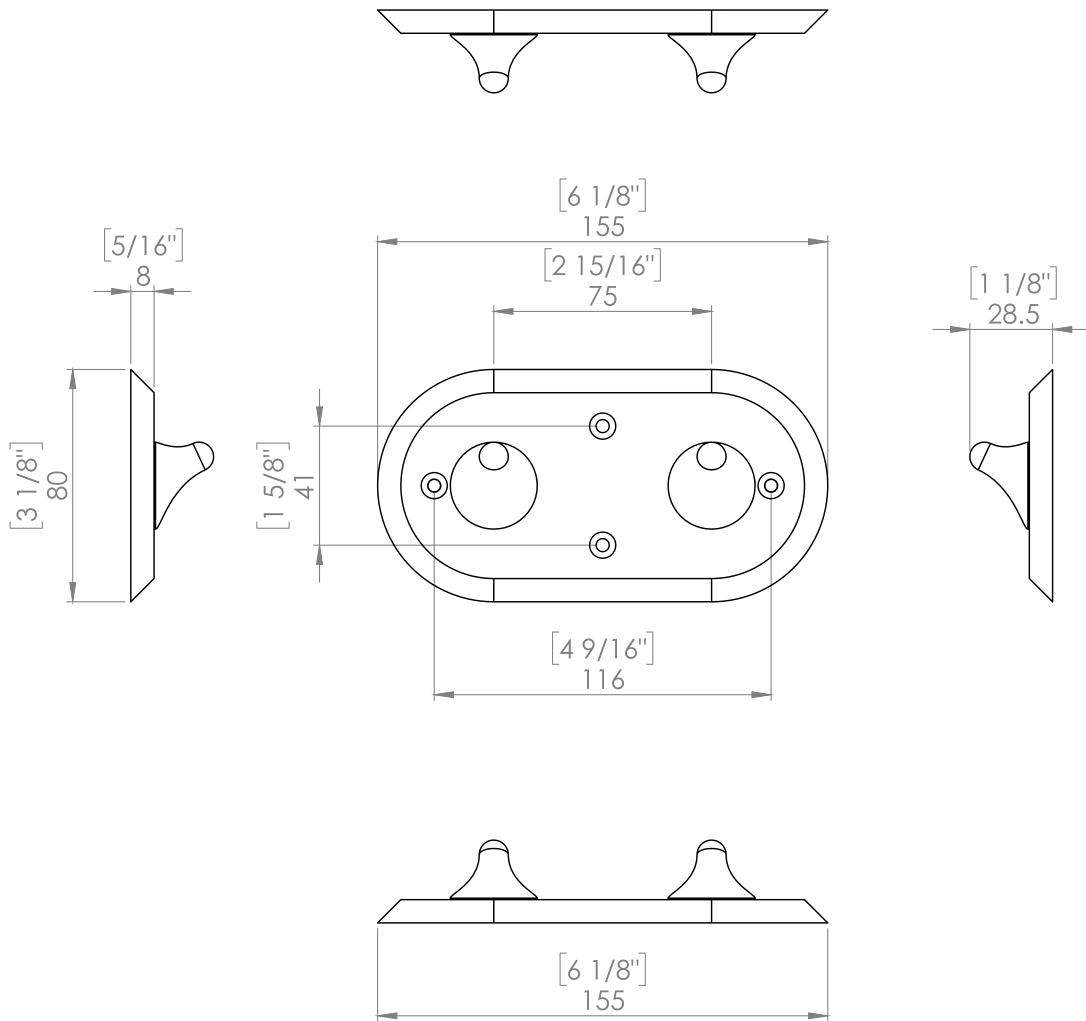
KG177BL (Blue) Ligature-Resistant Coat Rack



KG177BE (Beige) Ligature-Resistant Coat Rack

PRODUCT DIAGRAM

KG177 Ligature Resistant Dual Coat Hook Rack



Terms and conditions:

To see our full terms and conditions, please visit: kingswaygroupglobal.com/en-us/terms