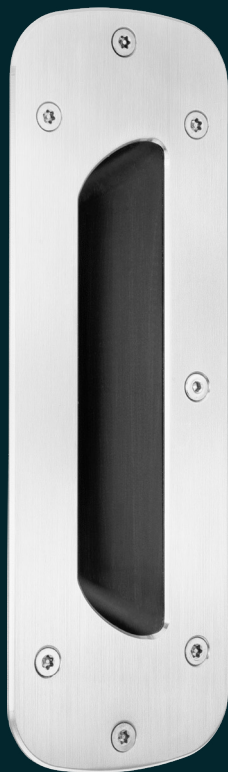


## PRODUCT DATASHEET

# KG80 Recessed Pull Handle

The KG80 Recessed Pull Handle is a ligature-resistant pull handle for doors featuring a curved recessed section that gives excellent grip to the user. The handle's slim, flush-mounted profile and ligature-resistant design make it ideal for use in patient areas.



### Terms and conditions:

To see our full terms and conditions, please visit:  
[kingswaygroupglobal.com/en-us/terms](https://kingswaygroupglobal.com/en-us/terms)

# Your Partner in Patient Safety

## Installation Description

- Mark out the face prep and fixing holes by placing the handles on the door, making sure that the face of the handle is flat on the door
- Mortise the face prep into the door leaf to a suitable depth to ensure the handle fits correctly
- Fix the handle in place using the countersunk security screws supplied

## Maintenance and Cleaning

### Maintenance

Periodic checks should be made to the fixings to ensure they remain tight and that they have not been tampered with.

### Cleaning

Handles should be cleaned using a non-abrasive sanitizing agent. Abrasive cleaning cloth and agents should be avoided.

Special care should be given when cleaning the recessed section to ensure it is kept free from dirt.

## Warranty

### 1 Year Manufacturer's Defect Warranty\*

\*For faulty manufacture and not for damage

### Specification

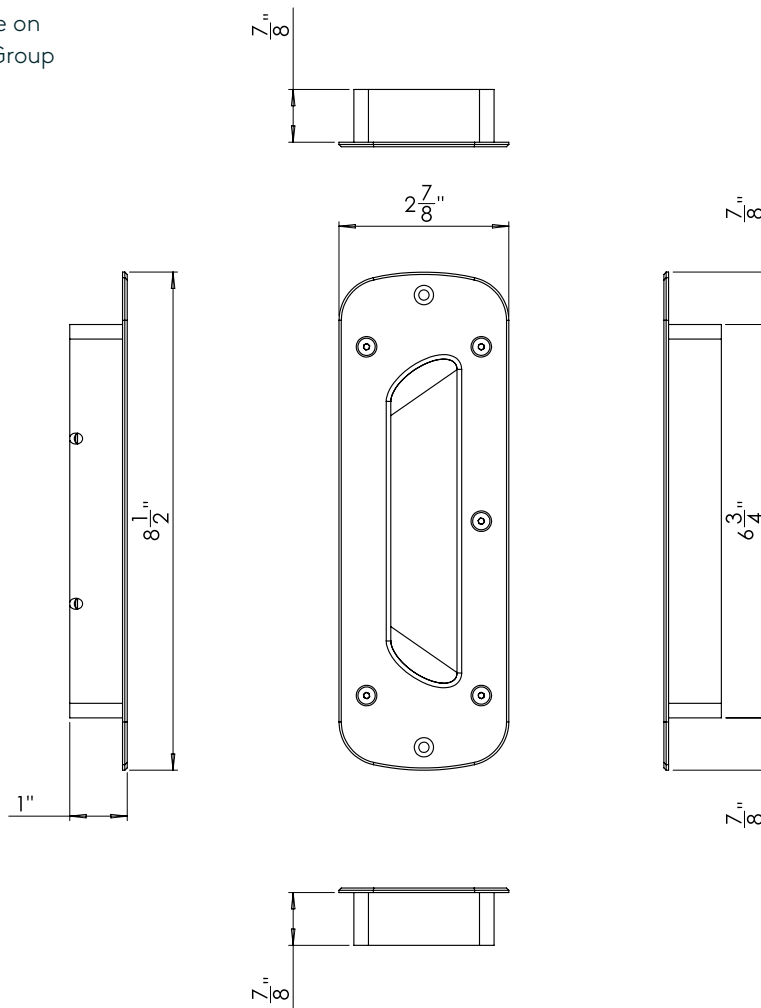
KG80 Recessed Pull Handle dispenser with sloped top

PRODUCT DIAGRAM

# KG80 Recessed Pull Handle

**Note:**

Door Prep Template available on request. Contact Kingsway Group for more information.



**Terms and conditions:**

To see our full terms and conditions, please visit: [kingswaygroupglobal.com/en-us/terms](https://kingswaygroupglobal.com/en-us/terms)