

## PRODUCT DATASHEET

# KG60 Classic Grip Pull Handle (on Backplate)

The Classic Grip is a solid ligature-resistant handle with a large finger grip area to aid those with impaired manual dexterity. Shaped to resist ligature attachment and for greater infection control, the KG60 handle is supplied on a large chamfered backplate with radiused ends and countersunk fixing holes.



### Terms and conditions:

To see our full terms and conditions, please visit:  
[kingswaygroupglobal.com/en-us/terms](https://kingswaygroupglobal.com/en-us/terms)

# Your Partner in Patient Safety

## Installation Description

- If a KG61 Classic Grip Pull Handle (through-bolt fixed) is being fitted to the other side of the door, install that handle first before installing KG60 Classic Grip Pull on Backplate
- Mark out the 4x fixing holes by placing the handle on the door, making sure the backplate is flat on the door
- Pilot the 4x fixing holes then fix the handle in place using the 4x countersunk security screws supplied

## Maintenance and Cleaning

### Maintenance

Periodic checks should be made to ensure the handle is free from damage and any signs of tampering and that the fixings remain securely fastened.

### Cleaning

Handles should be cleaned using a non-abrasive sanitizing agent. Abrasive cleaning cloth and agents should be avoided.

## Guarantee

### 3 Year Guarantee\*

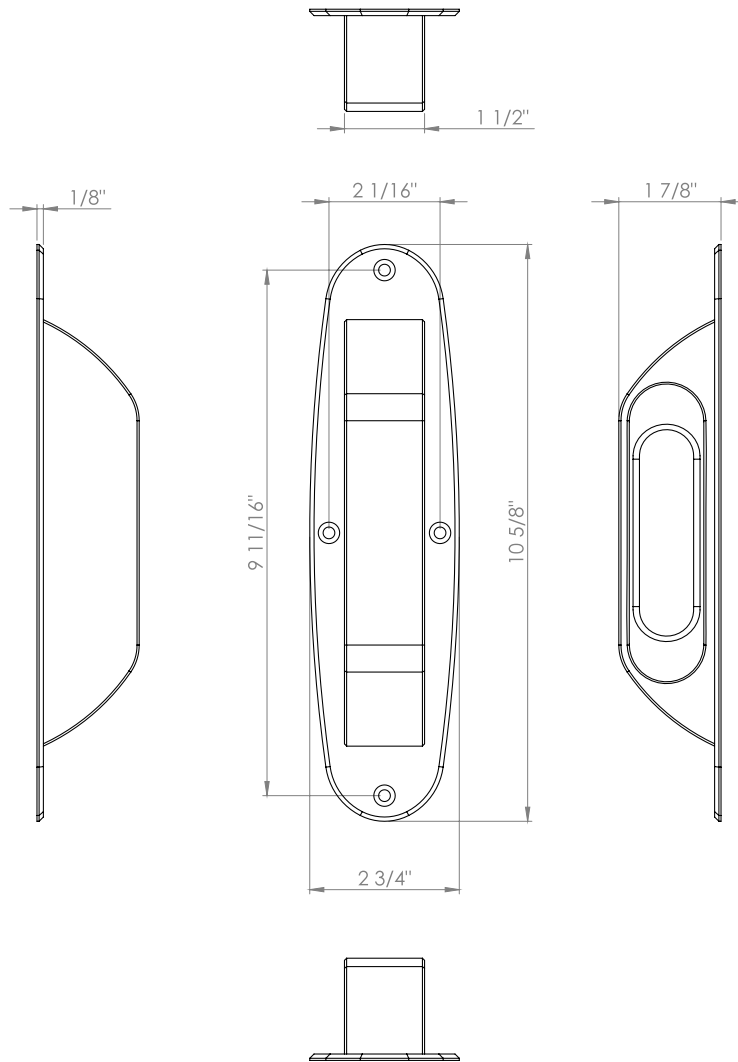
\*For faulty manufacture and not for damage

### Specification

KG60 Anti-ligature surface mounted Classic Grip pull handle on backplate with security screws

PRODUCT DIAGRAM

# KG60 Classic Grip Pull Handle (on Backplate)



**Terms and conditions:**

To see our full terms and conditions, please visit: [kingswaygroupglobal.com/en-us/terms](https://kingswaygroupglobal.com/en-us/terms)