

## PRODUCT DATASHEET

# KG41 Ergo Grip Pull Handle (Bolt Fixed)

The KG41 Ergo Grip is a stylish ligature-resistant pull handle designed for use in behavioral health environments to minimize the risk of patient self-harm. The handle offers excellent grip and durability in challenging environments and benefits from no visible fixings. Supplied with security fixings.



### Terms and conditions:

To see our full terms and conditions, please visit:  
[kingswaygroupglobal.com/en-us/terms](https://kingswaygroupglobal.com/en-us/terms)

# Your Partner in Patient Safety

## Installation Description

- Mark out the location of the 2x fixing holes on the door
- Drill the fixing holes
- Secure the handle in place using the 2x security fixings

## Maintenance and Cleaning

### Maintenance

Periodic checks should be made to ensure the handle is free from damage and any signs of tampering and that the fixings remain securely fastened.

### Cleaning

Handles should be cleaned using a non-abrasive sanitizing agent. Abrasive cleaning cloth and agents should be avoided.

## Guarantee

### 3 Year Guarantee\*

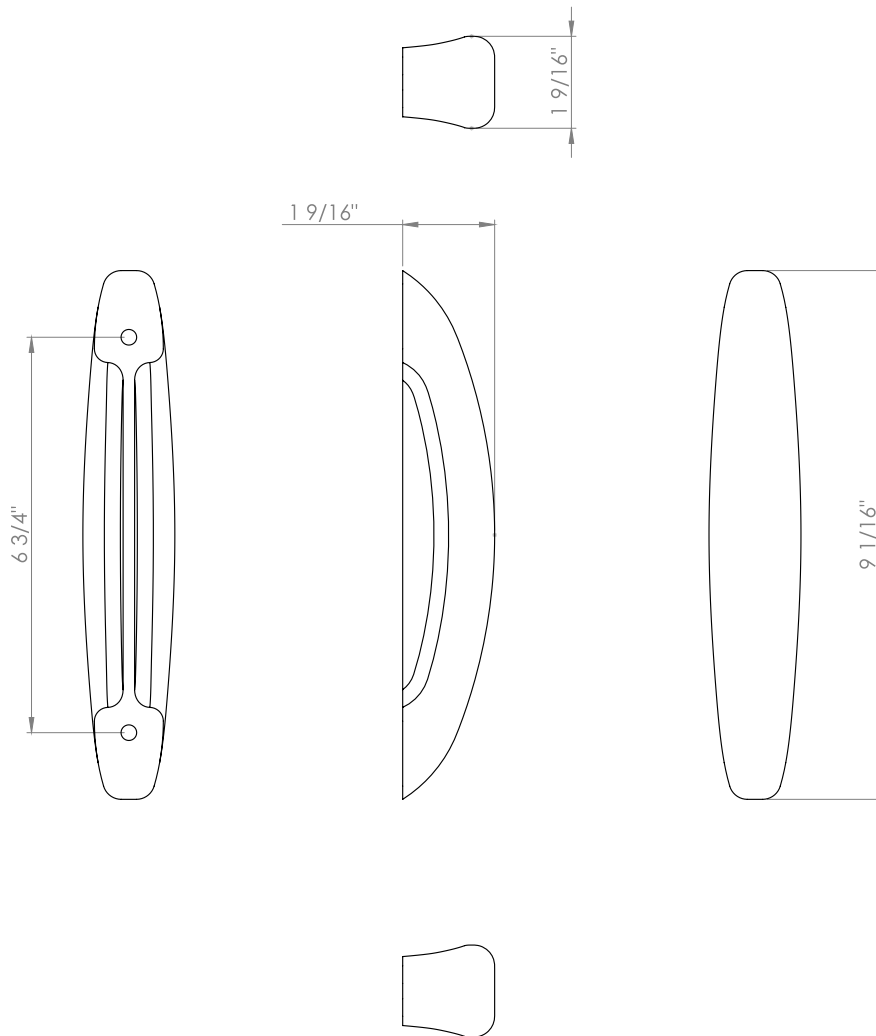
\*For faulty manufacture and not for damage

### Specification

KG41 Ergo Grip Pull Handle Bolt Fixed

PRODUCT DIAGRAM

# KG41 Ergo Grip Pull Handle (Bolt Fixed)



**Terms and conditions:**

To see our full terms and conditions, please visit: [kingswaygroupglobal.com/en-us/terms](https://kingswaygroupglobal.com/en-us/terms)