

PRODUCT DATASHEET

KG40 Ergo Grip Pull Handle (on Backplate)

The KG40 Ergo Grip is a stylish ligature-resistant pull handle designed for use in behavioral health environments to minimize the risk of patient self-harm. The handle offers excellent grip and durability in challenging environments and features a large radiused finger plate with chamfered edges and countersunk fixing holes. Supplied with security fixings.



Terms and conditions:

To see our full terms and conditions, please visit:
kingswaygroupglobal.com/en-us/terms

Your Partner in Patient Safety

Installation Description

- If a KG41 Ergo Grip Pull Handle (through-bolt fixed) is being fitted to the other side of the door, install that handle first before continuing
- Mark out the 4x fixing holes by placing the handle on the door, making sure the backplate is flat on the door
- Pilot the 4x fixing holes then fix the handle in place using the 4x countersunk security screws supplied

Maintenance and Cleaning

Maintenance

Periodic checks should be made to ensure the handle is free from damage and any signs of tampering and that the fixings remain securely fastened.

Cleaning

Handles should be cleaned using a non-abrasive sanitizing agent. Abrasive cleaning cloth and agents should be avoided.

Warranty

1 Year Manufacturer's Defect Warranty*

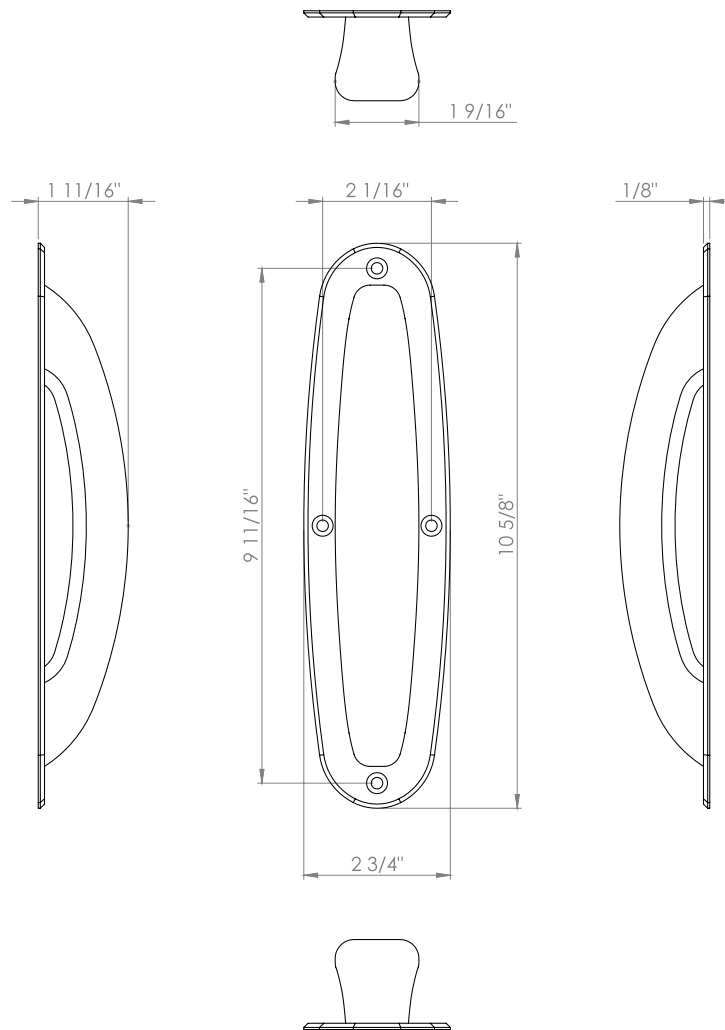
*For faulty manufacture and not for damage

Specification

KG40 ligature-resistant surface mounted Ergo Grip pull handle on backplate with security screws

PRODUCT DIAGRAM

KG40 Ergo Grip Pull Handle (on Backplate)



Terms and conditions:

To see our full terms and conditions, please visit: kingswaygroupglobal.com/en-us/terms