

PRODUCT DATASHEET

KG30 Easy Grip Pull Handle (on Backplate)

The KG30 Easy Grip is a compact ligature-resistant handle designed for safe use in behavioral healthcare environments while providing excellent grip. It features a shaped backplate with chamfered edges and countersunk fixing points, offering a modern and non-institutional appearance while minimizing risk. Supplied with security fixings.



Terms and conditions:

To see our full terms and conditions, please visit:
kingswaygroupglobal.com/en-us/terms

Your Partner in Patient Safety

Installation Description

- If a KG31 Easy Grip Pull Handle (through-bolt fixed) is being fitted to the other side of the door, install that handle first before continuing
- Mark out the 4x fixing holes by placing the handle on the door, making sure the backplate is flat on the door
- Pilot the 4x fixing holes then fix the handle in place using the 4x security screws supplied

Maintenance and Cleaning

Maintenance

Periodic checks should be made to ensure the handle is free from signs of damage and that the security fixings remain tight and have not been tampered with.

Cleaning

Handles should be cleaned using a non-abrasive sanitizing agent. Abrasive cleaning cloth and agents should be avoided.

Warranty

1 Year Manufacturer's Defect Warranty*

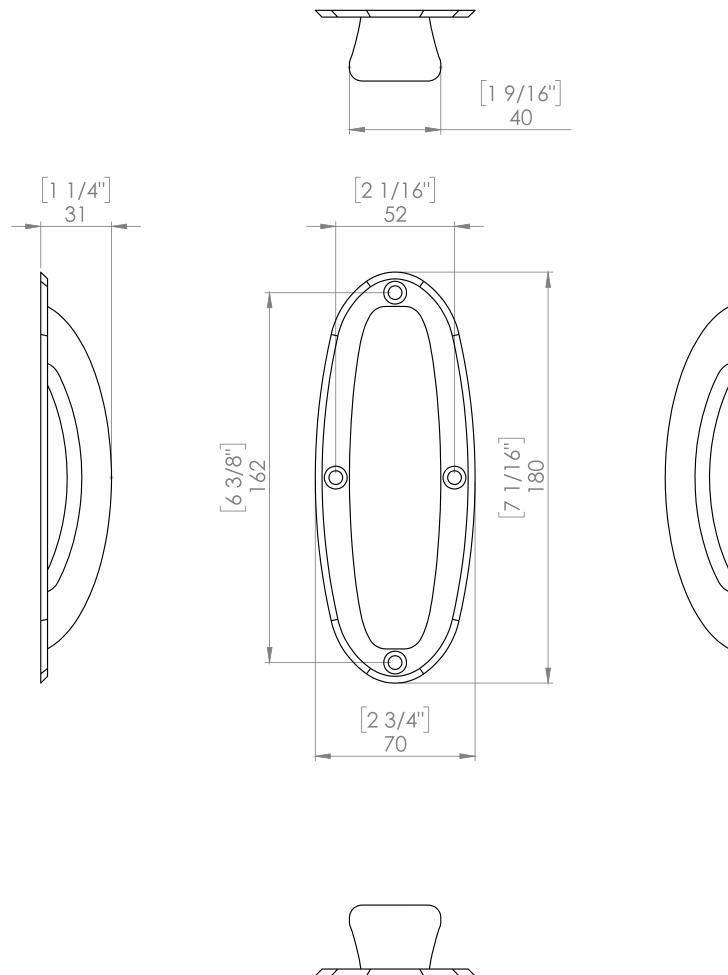
*For faulty manufacture and not for damage

Specification

KG30 Easy Grip pull handle on backplate

PRODUCT DIAGRAM

KG30 Easy Grip Pull Handle (on Backplate)



Terms and conditions:

To see our full terms and conditions, please visit: kingswaygroupglobal.com/en-us/terms