

PRODUCT DATASHEET

KG220-221 Quarter Turn Deadbolt

The Quarter Turn Deadbolt is fitted inside half leaf doors to provide a secure alternative to flush bolts. It is operated using an 5/16" square or oval key drive and has a 19/32" throw for maximum security.

**Terms and conditions:**

To see our full terms and conditions, please visit:
kingswaygroupglobal.com/en-us/terms

Your Partner in Patient Safety

Installation Description

- Mark out the area where the bolt is to be fitted and drill out for the bolt, taking care to stay within the marked out square area then square the hole up with a chisel
- Insert the bolt and mark out for the square end plate then cut out this to the required depth
- Drill out for the key access to the face of the door and insert the spindle and then fix the front cover

Operation and Maintenance

Operation

Operated using the 5/16" square or oval key to either throw or retract the bolt in half leaf doors.

Maintenance

Periodic checks should be made to ensure the bolt is free from damage and remains securely fitted. Light lubricant can be used if the action has become stiff.

Cleaning

Cleaning of security bolt should be with a damp cloth. Cleaning agents should be avoided.

Warranty

1 Year Manufacturer's Defect Warranty*

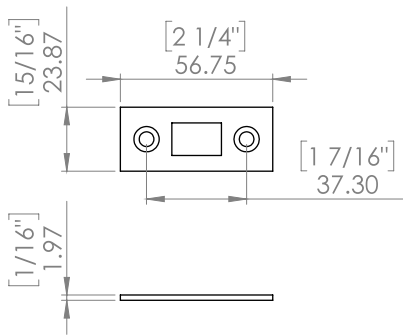
*For faulty manufacture and not for damage

Specification

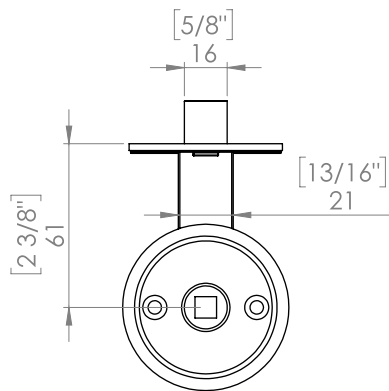
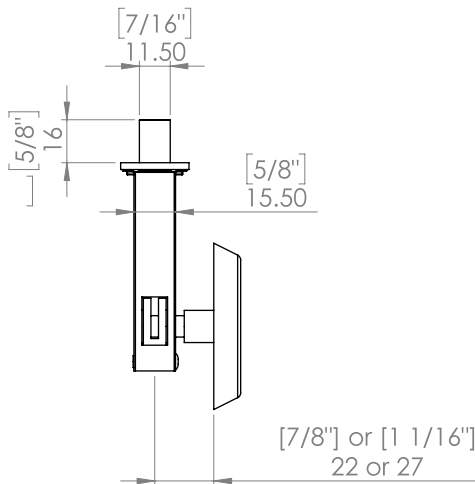
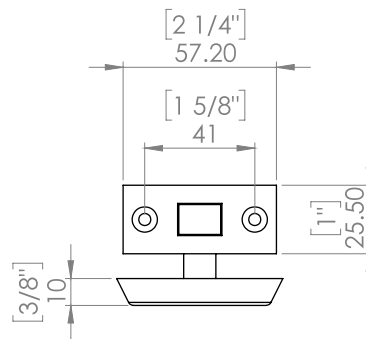
KG220 Quarter Turn Deadbolt Square Key
KG221 Quarter Turn Deadbolt Oval Key

PRODUCT DIAGRAM

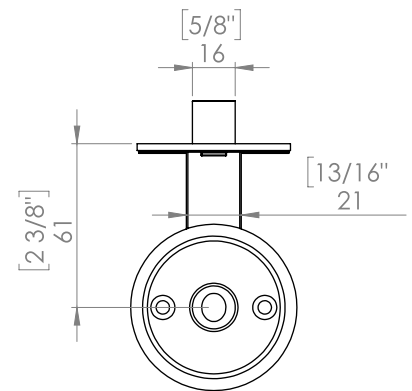
KG220-221 Quarter Turn Deadbolt



Frame Lock Keep Plate



Square Key



Oval Key

Terms and conditions:

To see our full terms and conditions, please visit: kingswaygroupglobal.com/en-us/terms