

PRODUCT DATASHEET

KG181 Floor Mounted Door Stop

The floor mounted door stop is manufactured from stainless steel and high impact rubber and is designed to protect surfaces being damaged by the force of an opening door.



Terms and conditions:

To see our full terms and conditions, please visit:
kingswaygroupglobal.com/en-us/terms

Your Partner in Patient Safety

Installation Description

- Mark out the area where the door stop is to be fitted
- Drill two holes - one for the locating pin and one for the screw
- Fix into place using the security screw provided and a suitable anchor if required

Operation and Maintenance

Operation

Designed to prevent overextension for use with doors that do not have a positive stop, such as a wall with a wall stop.

Maintenance

Periodic checks should be made to ensure the fixing remains tight and that the rubber has not been damaged.

Cleaning

Clean using a non-abrasive sanitizing agent. Abrasive cleaning cloth and agents should be avoided.

Guarantee

3 Year Guarantee*

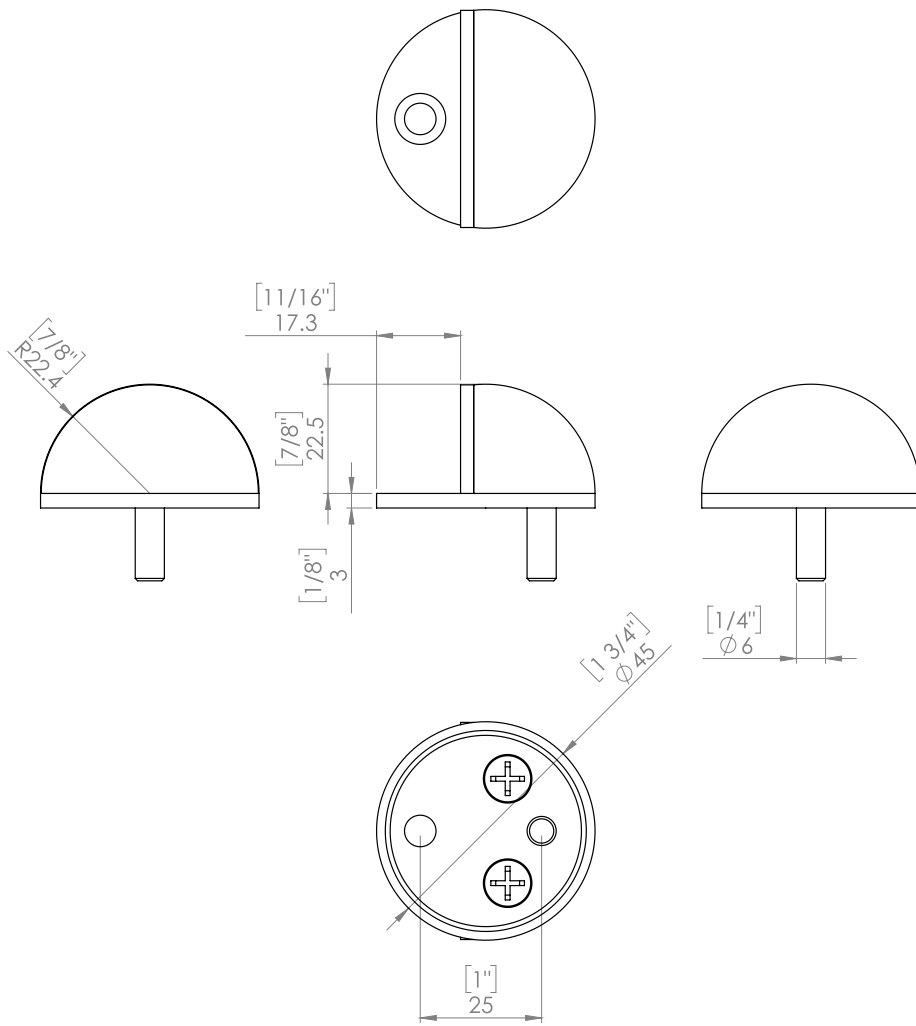
*For faulty manufacture and not for damage

Specification

KG181 Floor Mounted Door Stop

PRODUCT DIAGRAM

KG181 Floor Mounted Door Stop



Terms and conditions:

To see our full terms and conditions, please visit: kingswaygroupglobal.com/en-us/terms