

PRODUCT DATASHEET

KG180 KORE Anti-Ligature Coat Hook

The KG180 is a ligature-resistant coat & towel hook with a low release threshold. The flexible hook is made from a low shore rating rubber with a high silicone content and are secured by a stainless steel surround, fixed by two security screws that pass through both the surround and the rubber. Available in a selection of colors to suit your environment.



Terms and conditions:

To see our full terms and conditions, please visit:
kingswaygroupglobal.com/en-us/terms

Keeping People Safe

Installation Description

- Mark out the (2) fixing holes
- Drill the (2) fixing holes for the provided security screws and insert suitable anchors
- Secure in place using the (2) security screws

We recommend that you apply tamper proof caulking around the perimeter of the unit

Operation and Maintenance

Operation

Designed for use with garments and towels and will release under load. Load release tested to meet National Standards.

Maintenance

Periodic checks should be made to ensure the screws remain tight and that the rubber has not been damaged.

Cleaning

Clean using a non-abrasive sanitising agent. Abrasive cleaning cloth and agents should be avoided.

Warranty

1 Year Manufacturer's Defect Warranty*

*For faulty manufacture and not for damage

Specification

KG180 KORE ligature-resistant coat and towel hook, supplied with security screws.

This product is subject to U.S. patent #D790328.

PRODUCT DATASHEET

KG180 KORE Anti-Ligature Coat Hook Colors

Color Codes:



KG180BK (Black) Ligature-Resistant Coat Hook



KG180GR (Grey) Ligature-Resistant Coat Hook



KG180CR (Cream) Ligature-Resistant Coat Hook



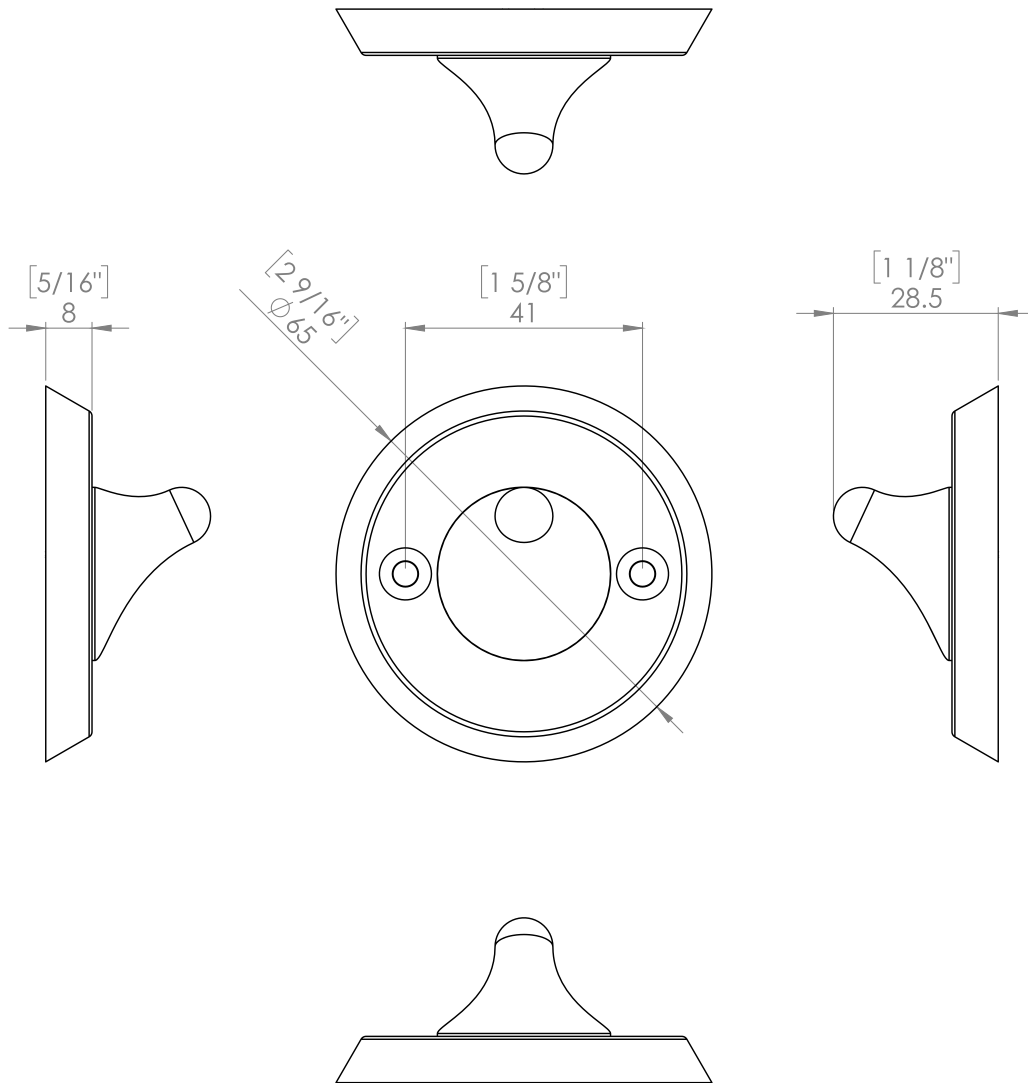
KG180BL (Blue) Ligature-Resistant Coat Hook



KG180BE (Beige) Ligature-Resistant Coat Hook

PRODUCT DIAGRAM

KG180 KORE Anti-Ligature Coat Hook



Terms and conditions:

To see our full terms and conditions, please visit: kingswaygroupglobal.com/en-us/terms