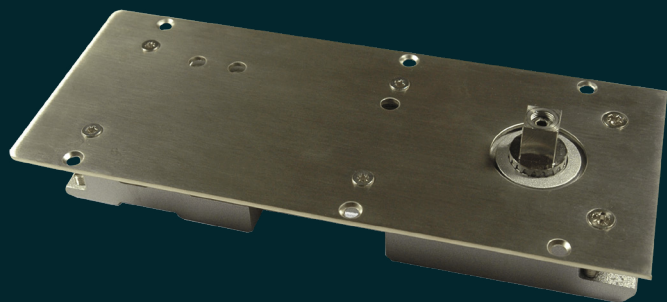


## PRODUCT DATASHEET

# KG36 Double Action Transom Closer - Mechanical Hold Open

The KG36 is a concealed, double action transom closer featuring a mechanical hold-open function, capable of holding the door in the open position at 90°. The closer is mounted flush in the frame header and held securely in place by 6 anti-tamper fixings through the stainless steel cover plate, providing a safe and secure means of controlling double action doors.



### Terms and conditions:

To see our full terms and conditions, please visit:  
[kingswaygroupglobal.com/terms](https://kingswaygroupglobal.com/terms)

# Your Partner in Patient Safety

## Installation Description

The KG36 Mechanical Hold-Open Closer is only supplied as part of a Kingsway Group Complete Door System where all components are fitted and tested in the production process.

## Operation and Maintenance

### Operation

The transom closer has been designed to allow doors to open 90° in both directions. The closing force and the latching action can both be adjusted depending on the type of door it is and whether there are air pressure issues that need to be overcome, i.e. a small room without any ventilation will need more latching force to close the door due to the air pressure.

### Maintenance

Periodic checks should be made to the closer to ensure the closing and latching action is correct for the door type. Checks should also be made for signs of tampering and damage. Cleaning of the closer should be done only with a damp cloth and mild detergent where necessary. Excess use of liquid will affect the action of the closer and make void the guarantee.

## Guarantee

### 5 Year Guarantee\*

\*For faulty manufacture and not for damage

### Specification

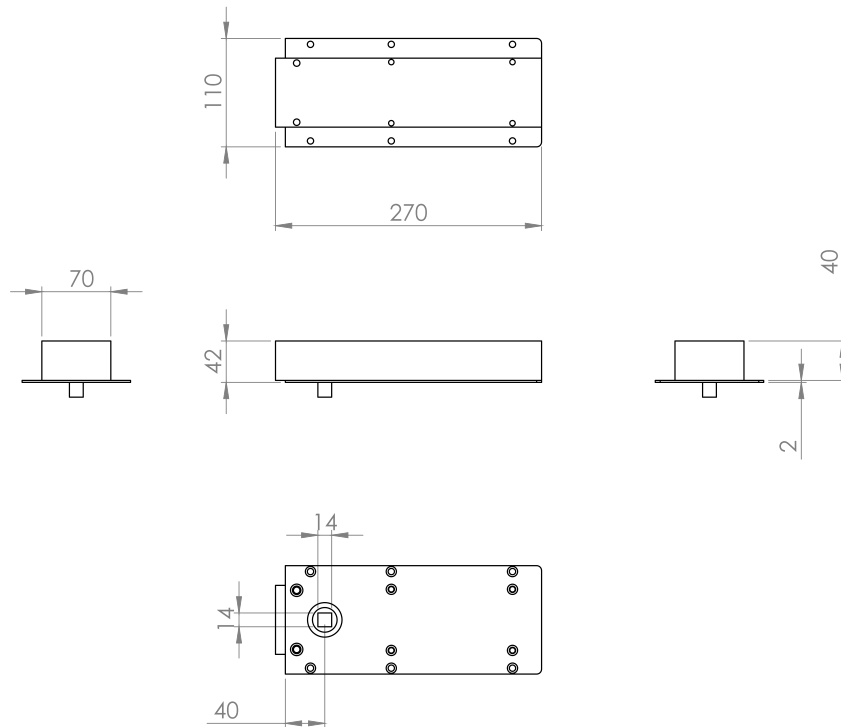
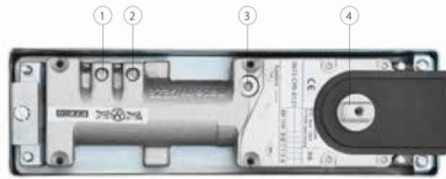
KG36 Body for Transom Mounted Door Closer

PRODUCT DIAGRAM

# KG36 Double Action Transom Closer - Mechanical Hold Open

- 1 = Latching action adjustment
- 2 = Closing speed adjustment
- 3 = Closing force adjustment
- 4 = Spur-cut spindle

Single action door	-
Double action door	-
Door weight (up to)	150 kg
Leaf width (up to)	1100 mm
EN Size	1-4
Adjustable closing speed	-
Closing range from	175"
Adjustable closing force	-
Adjustable latching action	-



**Terms and conditions:**

To see our full terms and conditions, please visit: [kingswaygroupglobal.com/terms](https://kingswaygroupglobal.com/terms)