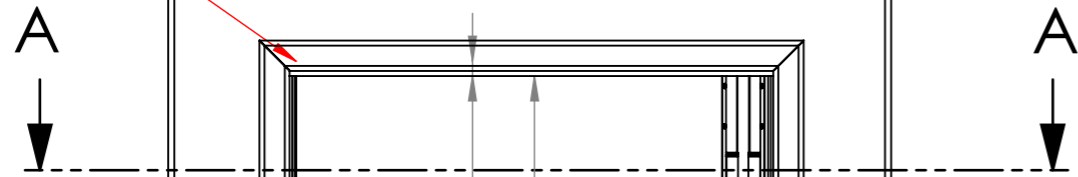


Corridor Side

Bedroom Side

3mm Gap to closing jamb and top jamb



A

A

1250

862

85mm

29mm

8mm Gap to floor

B

B

2068mm Clear opening based on 2100mm Frame height

SWITCH Door System

Code: SCH01 & SCH02

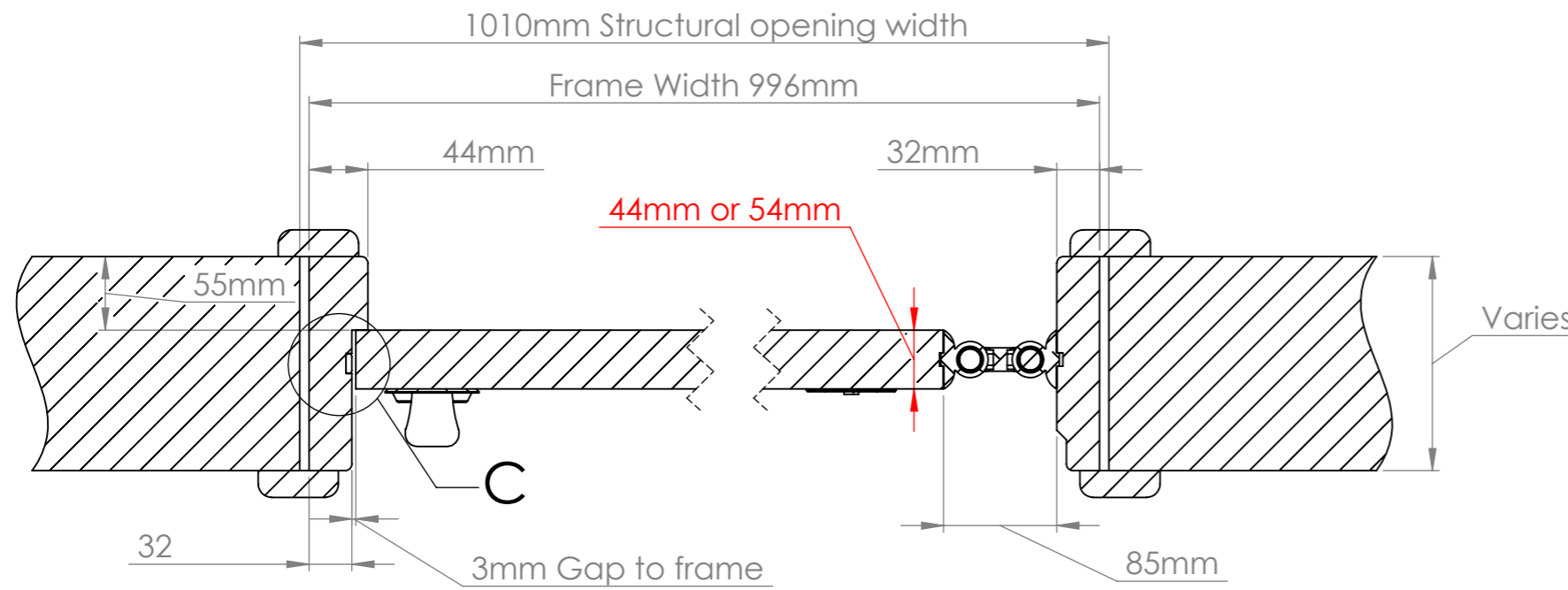


sales@kingswaygroup.co.uk
www.kingswaygroup.co.uk

Notes:

1. Dimensions shown are for a 1010 x 2449 structural opening

SECTION A-A

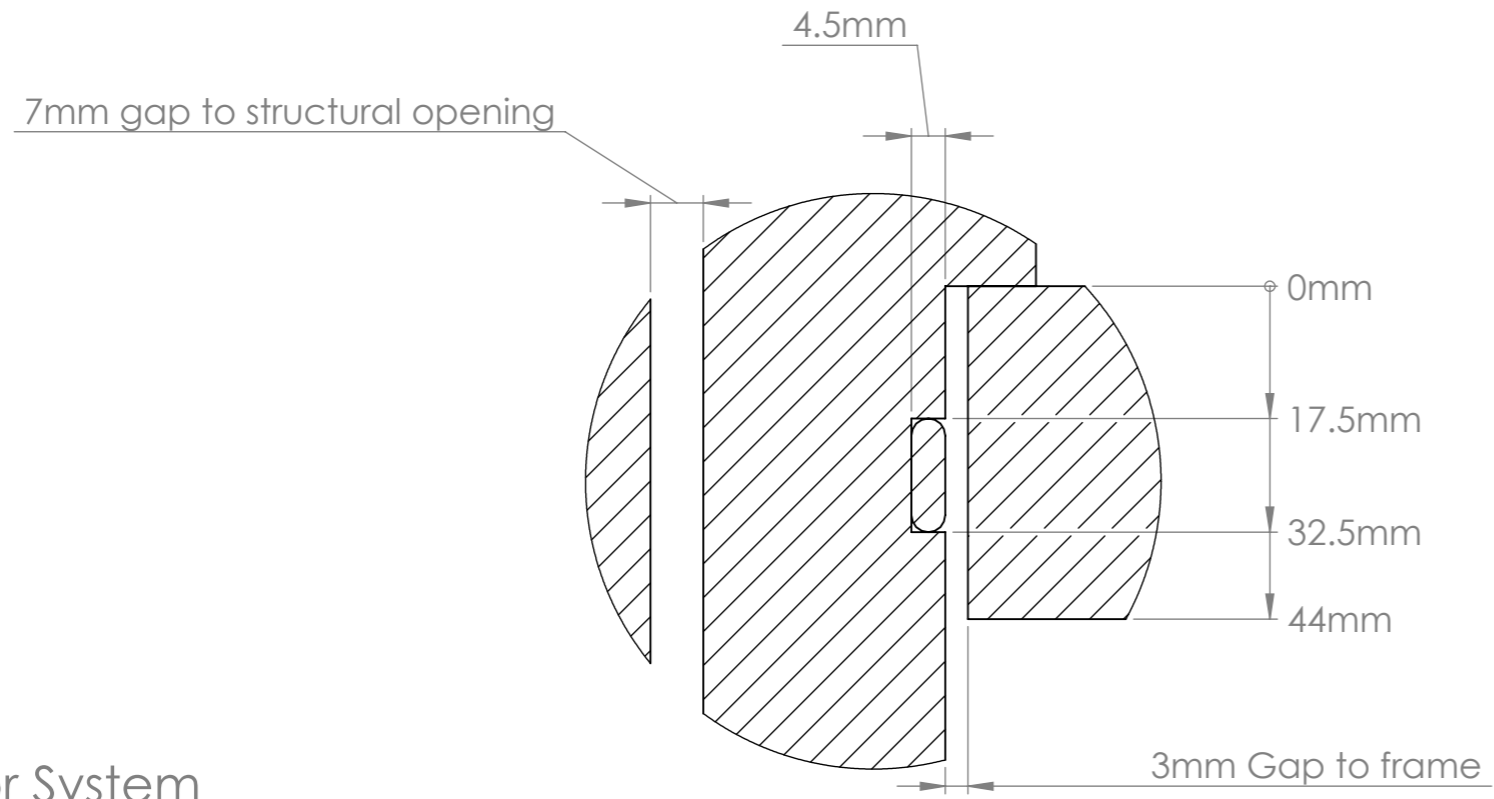
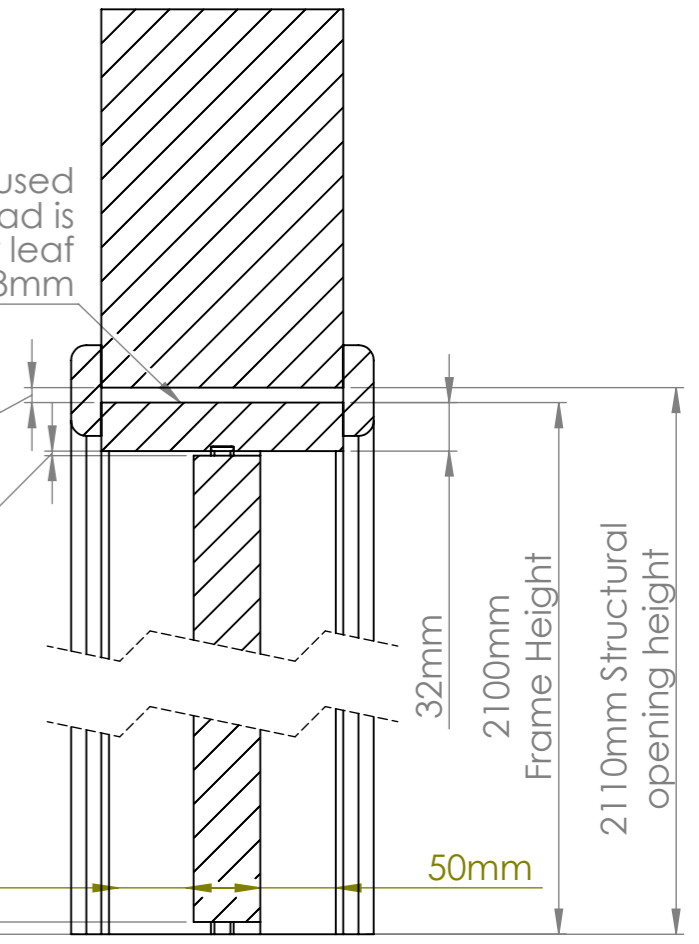


If KG35 closer is used then the frame head is 58mm and door leaf height reduces by 28mm

10mm Gap to structural opening

3mm Gap to frame

8mm Gap to floor



DETAIL C
 SCALE 1 : 1

SECTION B-B

SWITCH Door System

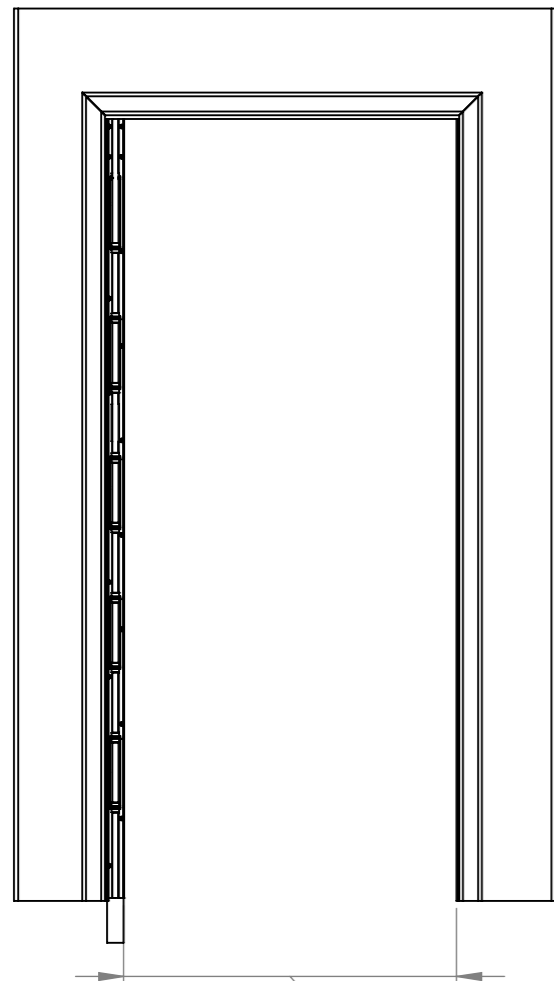
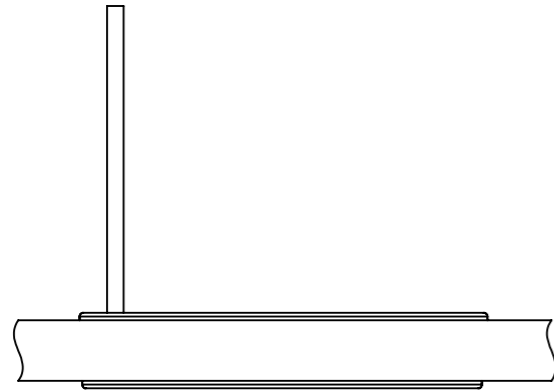
Code: SCH01 & SCH02



sales@kingswaygroup.co.uk
 www.kingswaygroup.co.uk

Notes:
 1. Dimensions shown are for a 1010 x 2449 structural opening

Inward Opening Function



880mm Clear opening in normal operation based on a 996mm frame

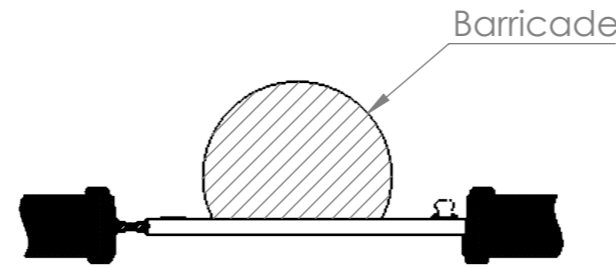
SWITCH Door System

Code: SCH01 & SCH02

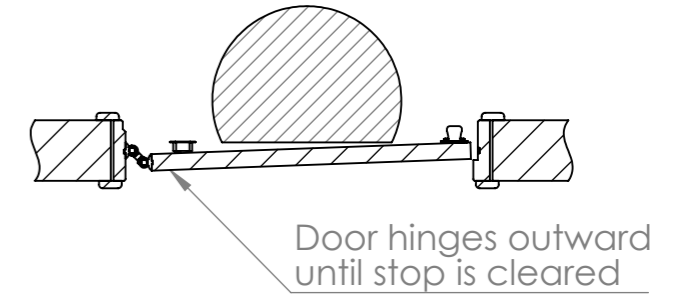


sales@kingswaygroup.co.uk
www.kingswaygroup.co.uk

Anti Barricade Opening Stage 1

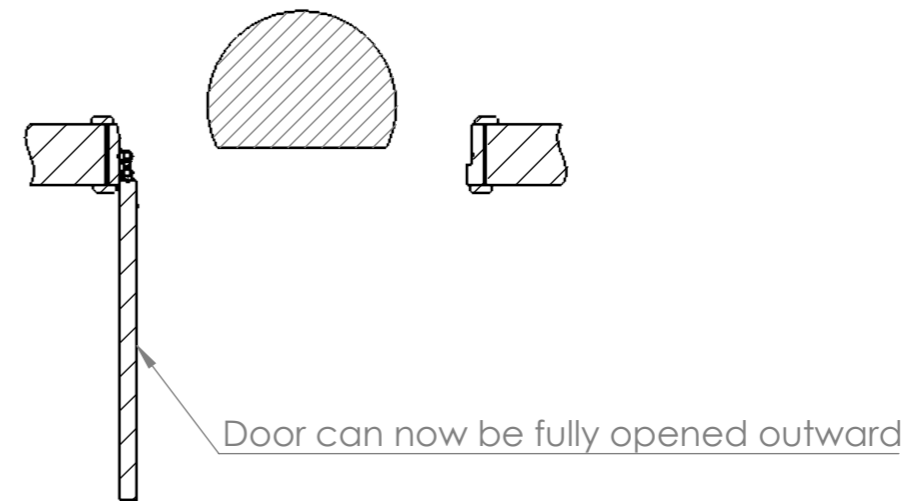


Anti Barricade Opening Stage 2



Door hinges outward until stop is cleared

Anti Barricade Opening Stage 3



Door can now be fully opened outward

Notes:

1. Dimensions shown are for a 1010 x 2449 structural opening