

PRODUCT DATASHEET

# KG500 Door Top Monitor

The Door Top Monitor provides a solution to alert staff when a ligature or object is hanging or trapped at the top of the door. Using new technology to provide complete protection across the entire width of the door, the Door Top Monitor sets new standards in patient safety.



#### Terms and conditions:

To see our full terms and conditions, please visit:  
[kingswaygroupglobal.com/terms](https://kingswaygroupglobal.com/terms)

# Your Partner in Patient Safety

## Installation Description

The KG500 Door Top Monitor is only supplied as part of a Kingsway Group Complete Door System where all components are fitted and tested in the production process.

## Operation and Maintenance

### Operation

Use door as normal with DTM installed.

### Maintenance

Care should be taken to ensure that the DTM remains functional and free from signs of damage.

### Cleaning

Use only a damp cloth to clean the DTM, where necessary a mild detergent can be used.

## Guarantee

### 5 Year Guarantee\*

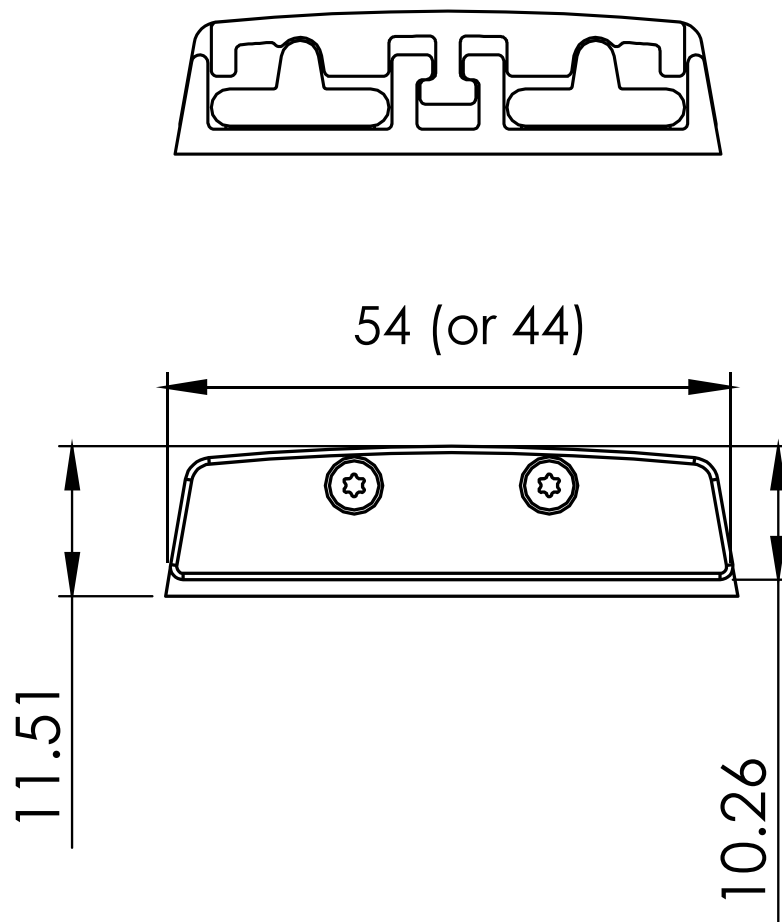
\*For faulty manufacture and not for damage

### Specification

KG500 Door Top Monitor

PRODUCT DIAGRAM

# KG500 Door Top Monitor



**Terms and conditions:**

To see our full terms and conditions, please visit: [kingswaygroupglobal.com/terms](https://kingswaygroupglobal.com/terms)