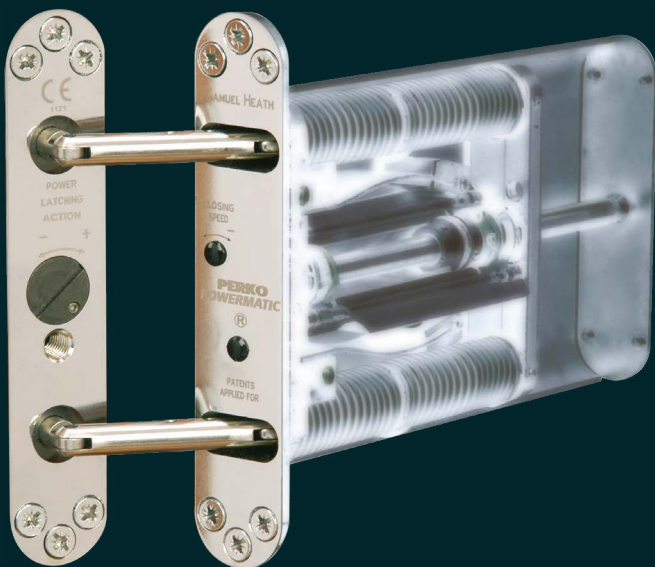


PRODUCT DATASHEET

KG21 Recessed Side Closer

The Kingsway recessed side closer is a fully concealed unit when closed and has an adjustable closing speed and latching action.



Your Partner in Patient Safety

Installation Description

- Recess the main body of the closer in to the side of the door
- Cut-out for the mounting plate in the frame and fix in place
- Open the closer and place the main body in to the recess that has been cut in the door
- Fix securely in place and check for correct latching and closing speeds

Operation and Maintenance

Operation

The recessed side closer has been designed for doors up to 940mm wide and up to 80kg in weight with a maximum opening of 105°.

Maintenance

Frequent checks should be made to ensure that the chains are well greased and that the latching and closing speeds are suitable.

Guarantee

5 Year Guarantee*

*For faulty manufacture and not for damage

Specification

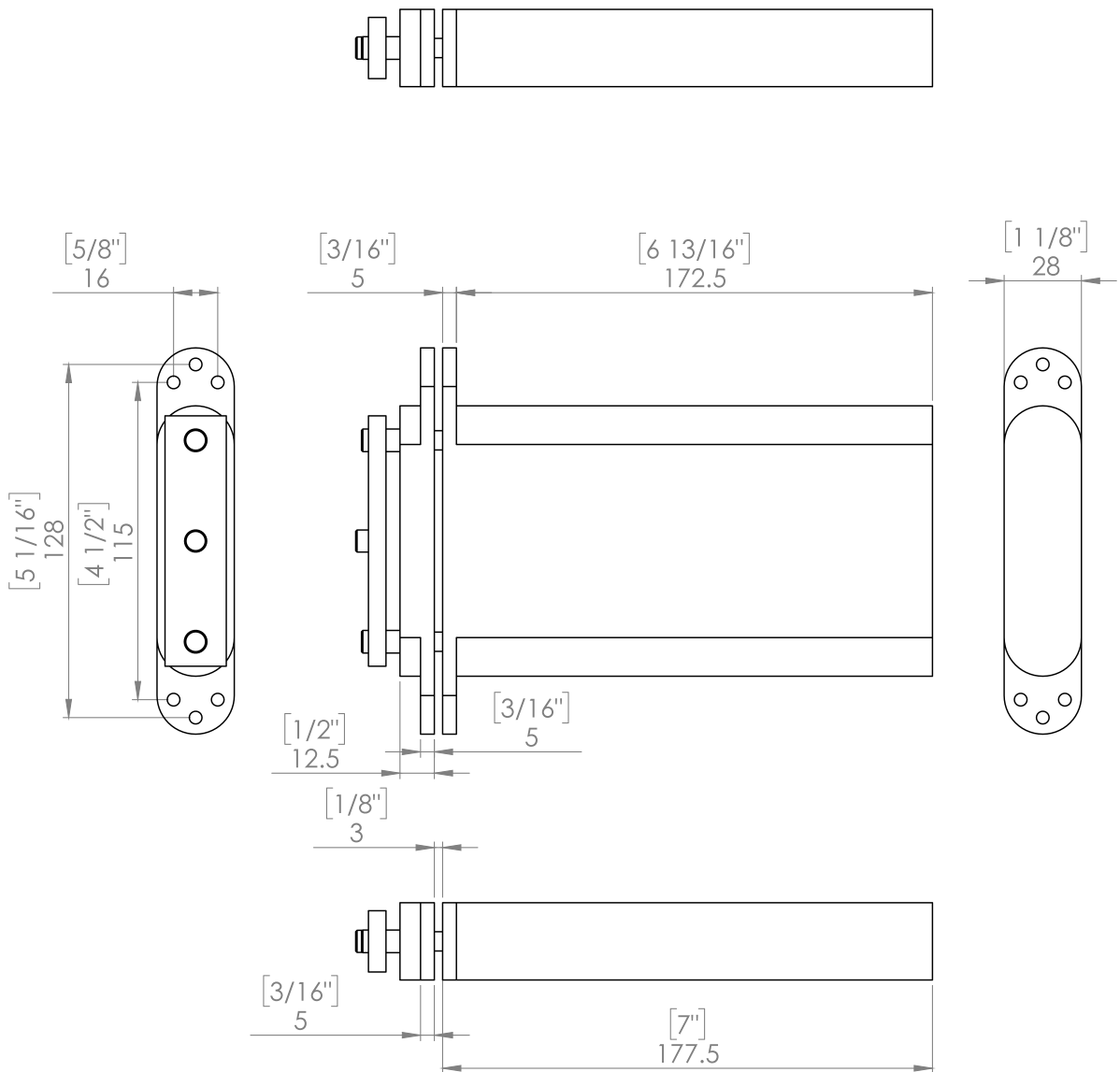
KG21 Recessed Door Closer

Terms and conditions:

To see our full terms and conditions, please visit:
kingswaygroupglobal.com/terms

PRODUCT DIAGRAM

KG21 Recessed Side Closer



Terms and conditions:

To see our full terms and conditions, please visit: kingswaygroupglobal.com/terms