

PRODUCT DATASHEET

KG111 Continuous Hinge

The stainless steel continuous geared hinge runs the full length of the door and provides maximum strength, security and safety.



Terms and conditions:

To see our full terms and conditions, please visit:
kingswaygroupglobal.com/terms

Your Partner in Patient Safety

Installation Description

The KG111 Continuous Hinge is only supplied as part of a Kingsway Group Complete Door System where all components are fitted and tested in the production process.

Operation and Maintenance

Operation

The stainless steel continuous hinge operates by an interlocking butt mechanism that provides a high-strength and smooth motion for heavy, high traffic doors.

Maintenance

Periodic checks should be made to ensure the hinge and fixings have not been tampered with.

Cleaning

Cleaning of the hinges should be with a damp cloth. Cleaning agents should be avoided.

Guarantee

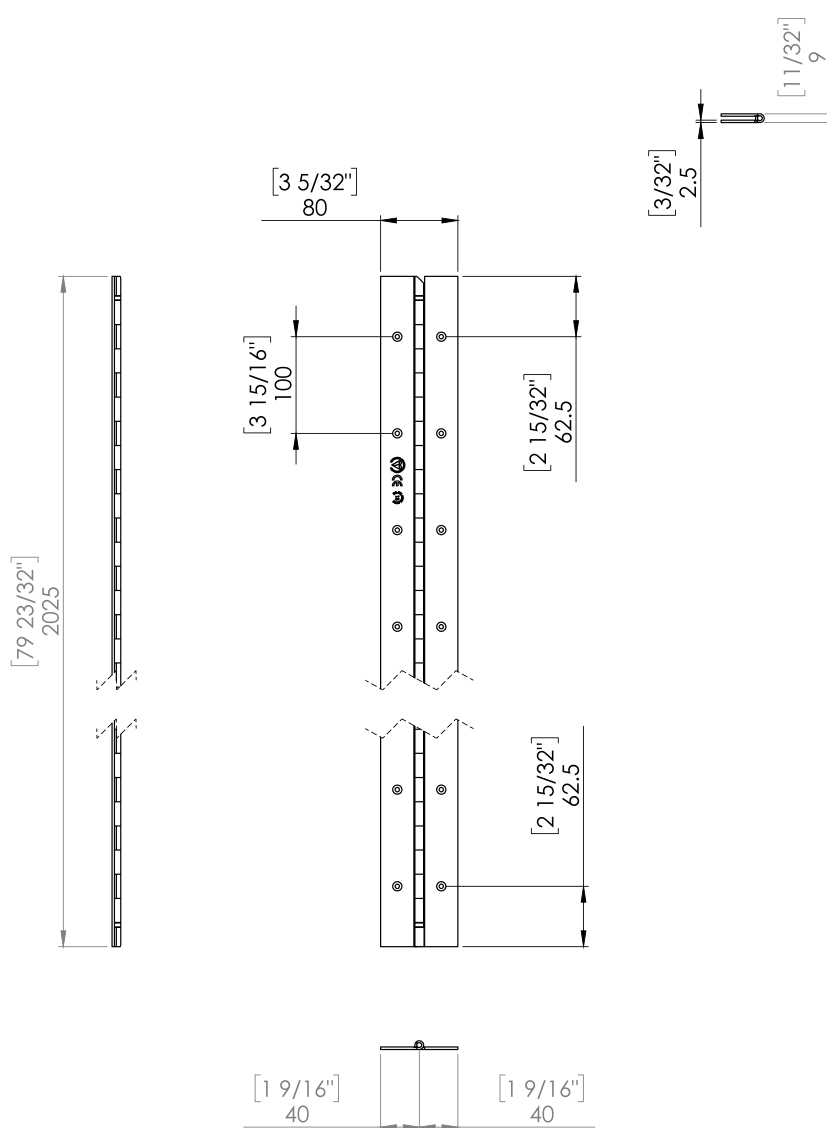
5 Year Guarantee*

*For faulty manufacture and not for damage

Specification

KG111 Continuous Hinge

KG111 Continuous Hinge



Terms and conditions:

To see our full terms and conditions, please visit: kingswaygroupglobal.com/terms