

PRODUCT DATASHEET

KG91 Lever Handles (Half Set)

A slimly designed, 45° bolt-fixed lever handle suitable for those with impaired manual dexterity. The stainless steel handle offers great durability and provides an anti-ligature solution for latch door furniture with a smooth finish, neat design, and no visible fixings. Also available as a full set under KG90 specification.



Terms and conditions:

To see our full terms and conditions, please visit:
kingswaygroupglobal.com/terms

Your Partner in Patient Safety

Installation Description

- Mark out the location of the mechanism and drill the three holes, one for the 8mm spindle (one side only) and two for the fixings
- Once the lock case has been installed, place the lever handle on the door at a negative 45 degree angle away from the leading edge and locate the 8mm spindle in to the 8mm follower, making sure the holes through the door are wide enough to take the two weld studs for the M5 fixings
- Secure the handle on by bolting through the door from the face plate provided into the weld studs

Maintenance and Cleaning

Maintenance

Periodic checks should be made to the fixings to ensure they remain tight and that they have not been tampered with.

Cleaning

The KG90 Lever Handles should be cleaned using a non-abrasive sanitising agent. Abrasive cleaning cloth and agents should be avoided.

Guarantee

5 Year Guarantee*

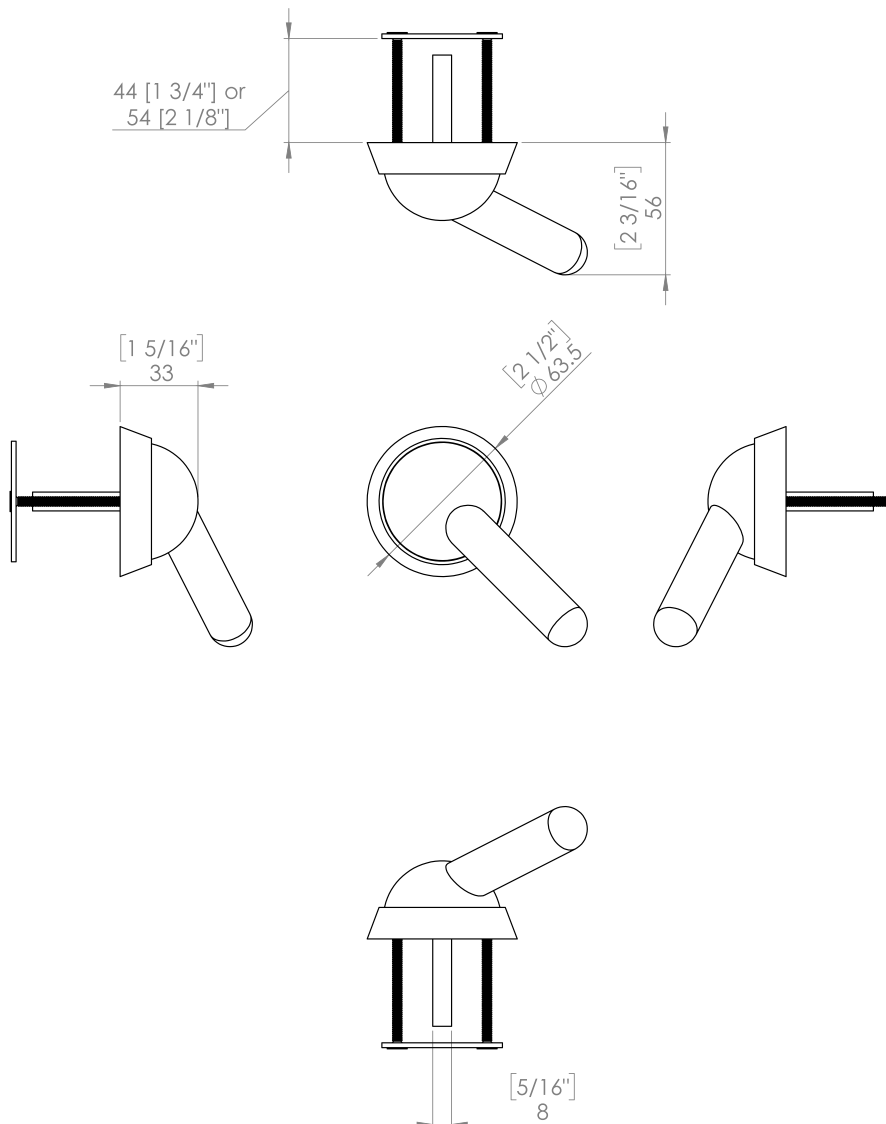
*For faulty manufacture and not for damage

Specification

KG91 Lever Handles Half Set

PRODUCT DIAGRAM

KG91 Lever Handles (Half Set)



Terms and conditions:

To see our full terms and conditions, please visit: kingswaygroupglobal.com/terms