

PRODUCT DATASHEET

KG60 Classic Grip Pull Handle (on Backplate)

The Classic Grip is a solid anti-ligature handle with a large finger grip area to aid those with impaired manual dexterity. Shaped to resist ligature attachment and for greater infection control, the KG60 handle is supplied on a large chamfered backplate with radiused ends and countersunk fixing holes.



Terms and conditions:

To see our full terms and conditions, please visit:
kingswaygroupglobal.com/terms

Your Partner in Patient Safety

Installation Description

- If a Bolt Fixed Handle is being fitted to the other side of the door, install that handle first before continuing
- Mark out the 4 fixing holes by placing the handle on the door, making sure the backplate is flat on the door
- Pilot the 4 fixing holes then fix the handle in place using the 4 countersunk security screws supplied

Operation and Maintenance

Operation

The Classic Grip handle has been designed to allow 30mm of grip area for the fingers and the thumb, giving a positive grip that makes it easier to open heavy doors.

Maintenance

Periodic checks should be made to the fixings to ensure they remain tight and that they have not been tampered with.

Cleaning

Classic Grip handles should be cleaned using a non-abrasive sanitising agent. Abrasive cleaning cloth and agents should be avoided.

Guarantee

5 Year Guarantee*

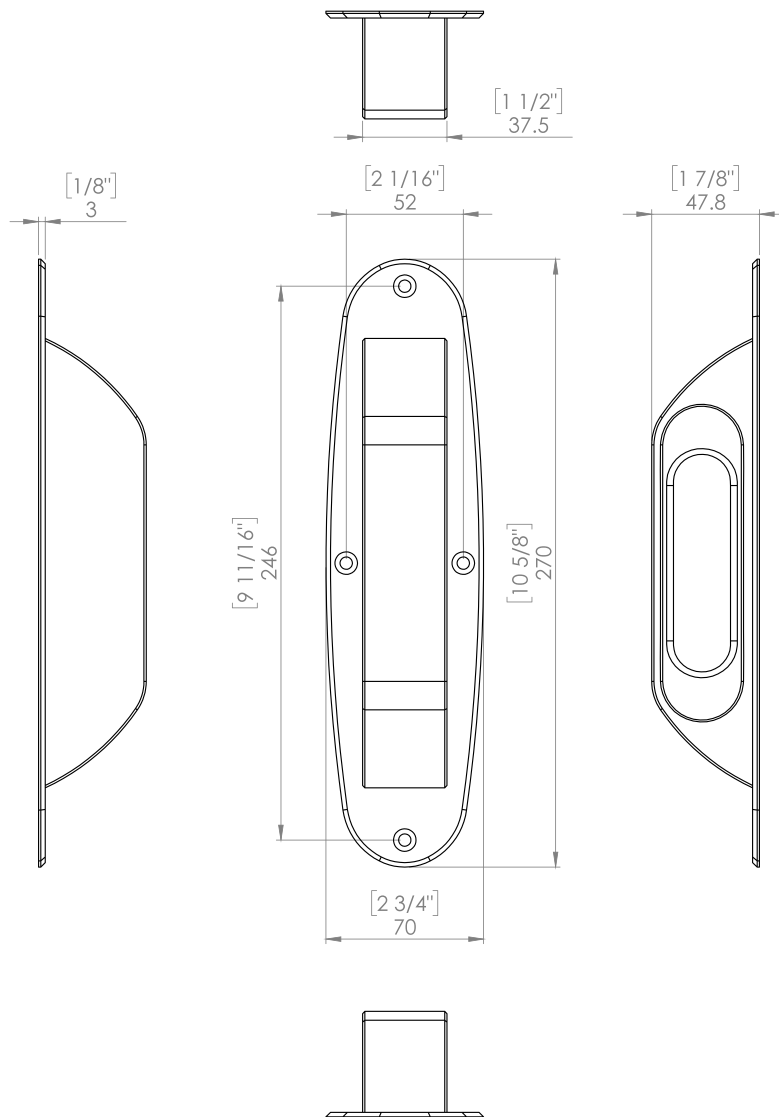
*For faulty manufacture and not for damage

Specification

KG60 Classic Grip Pull Handle on Backplate

PRODUCT DIAGRAM

KG60 Classic Grip Pull Handle (on Backplate)



Terms and conditions:

To see our full terms and conditions, please visit: kingswaygroupglobal.com/terms