

## PRODUCT DATASHEET

# KG41 Ergo Grip Pull Handle (Bolt Fixed)

The Ergo Grip is a stylish and modern anti-ligature pull handle that offers excellent grip whilst remaining suitable for installation in all user group areas. The KG41 is supplied as a bolt fixed handle to be fitted with a KG40 on the other side of the door, or to be used on its own on cupboard or riser doors.



### Terms and conditions:

To see our full terms and conditions, please visit:  
[kingswaygroupglobal.com/terms](https://kingswaygroupglobal.com/terms)

# Your Partner in Patient Safety

## Installation Description

- Mark out the two fixing holes by placing the handle on the door, making sure the face of the handle is flat on the door
- Drill the fixing holes using a 10mm bit
- Fix the handle in place using the 2 countersunk security bolts supplied

## Operation and Maintenance

### Operation

The Ergo Grip has been designed to allow fingers and thumb to pull on the 40mm wide front face with a finger clearance area of 20mm from the door face.

### Maintenance

Periodic checks should be made to the fixings to ensure they remain tight and that they have not been tampered with.

### Cleaning

Ergo Grip handles should be cleaned using a non-abrasive sanitising agent. Abrasive cleaning cloth and agents should be avoided.

## Guarantee

### 5 Year Guarantee\*

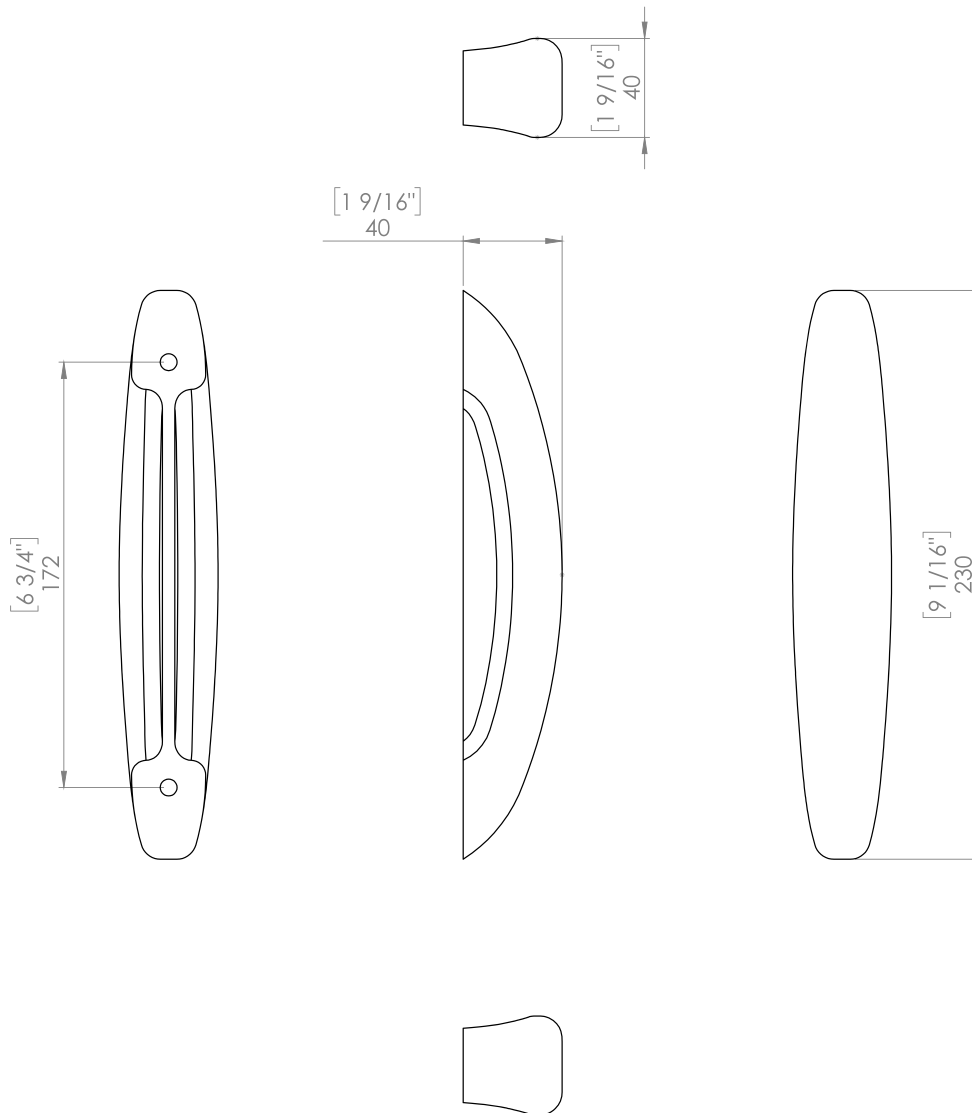
\*For faulty manufacture and not for damage

### Specification

KG41 Ergo Grip Pull Handle Bolt Fixed

PRODUCT DIAGRAM

# KG41 Ergo Grip Pull Handle (Bolt Fixed)



**Terms and conditions:**

To see our full terms and conditions, please visit: [kingswaygroupglobal.com/terms](https://kingswaygroupglobal.com/terms)