

PRODUCT DATASHEET

KG40 Ergo Grip Pull Handle (on Backplate)

The Ergo Grip is a stylish and modern anti-ligature pull handle that offers excellent grip. It's supplied on a large radiused finger plate with chamfered edges and countersunk fixing holes (supplied with security fixings).



Terms and conditions:

To see our full terms and conditions, please visit:
kingswaygroupglobal.com/terms

Your Partner in Patient Safety

Installation Description

- If a Bolt Fixed Handle is being fitted to the other side of the door, install that handle first before continuing
- Mark out the 4 fixing holes by placing the handle on the door, making sure the backplate is flat on the door
- Pilot the 4 fixing holes then fix the handle in place using the 4 countersunk security screws supplied

Operation and Maintenance

Operation

The Ergo Grip has been designed to allow fingers and thumb to pull on the 40mm wide front face with a finger clearance area of 20mm from the door face.

Maintenance

Periodic checks should be made to the fixings to ensure they remain tight and that they have not been tampered with.

Cleaning

Ergo Grip handles should be cleaned using a non-abrasive sanitising agent. Abrasive cleaning cloth and agents should be avoided.

Guarantee

5 Year Guarantee*

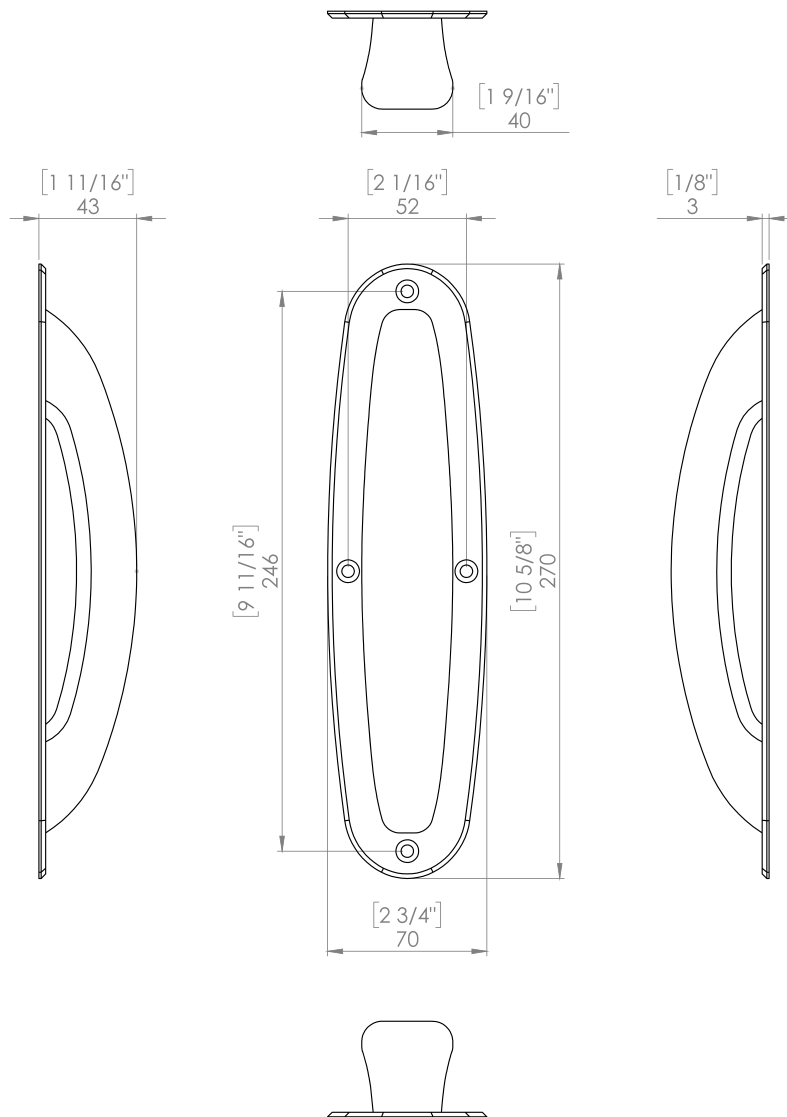
*For faulty manufacture and not for damage

Specification

KG40 Ergo Grip Pull Handle on Backplate

PRODUCT DIAGRAM

KG40 Ergo Grip Pull Handle (on Backplate)



Terms and conditions:

To see our full terms and conditions, please visit: kingswaygroupglobal.com/terms