

PRODUCT DATASHEET

KG30 Easy Grip Pull Handle (on Backplate)

The compact Easy Grip pull handle features a shaped backplate that enhances the overall appearance and helps create a modern environment. It has been designed to give excellent grip yet remain safe for installation in all user group areas.



Terms and conditions:

To see our full terms and conditions, please visit:
kingswaygroupglobal.com/terms

Your Partner in Patient Safety

Installation Description

- If a Bolt Fixed Handle is being fitted to the other side of the door, install that handle first before continuing
- Mark out the 4 fixing holes by placing the handle on the door, making sure the backplate is flat on the door
- Pilot the 4 fixing holes then fix the handle in place using the 4 countersunk security screws supplied

Maintenance and Cleaning

Maintenance

Periodic checks should be made to the fixings to ensure they remain tight and that they have not been tampered with.

Cleaning

Handles should be cleaned using a non-abrasive sanitising agent. Abrasive cleaning cloth and agents should be avoided.

Guarantee

5 Year Guarantee*

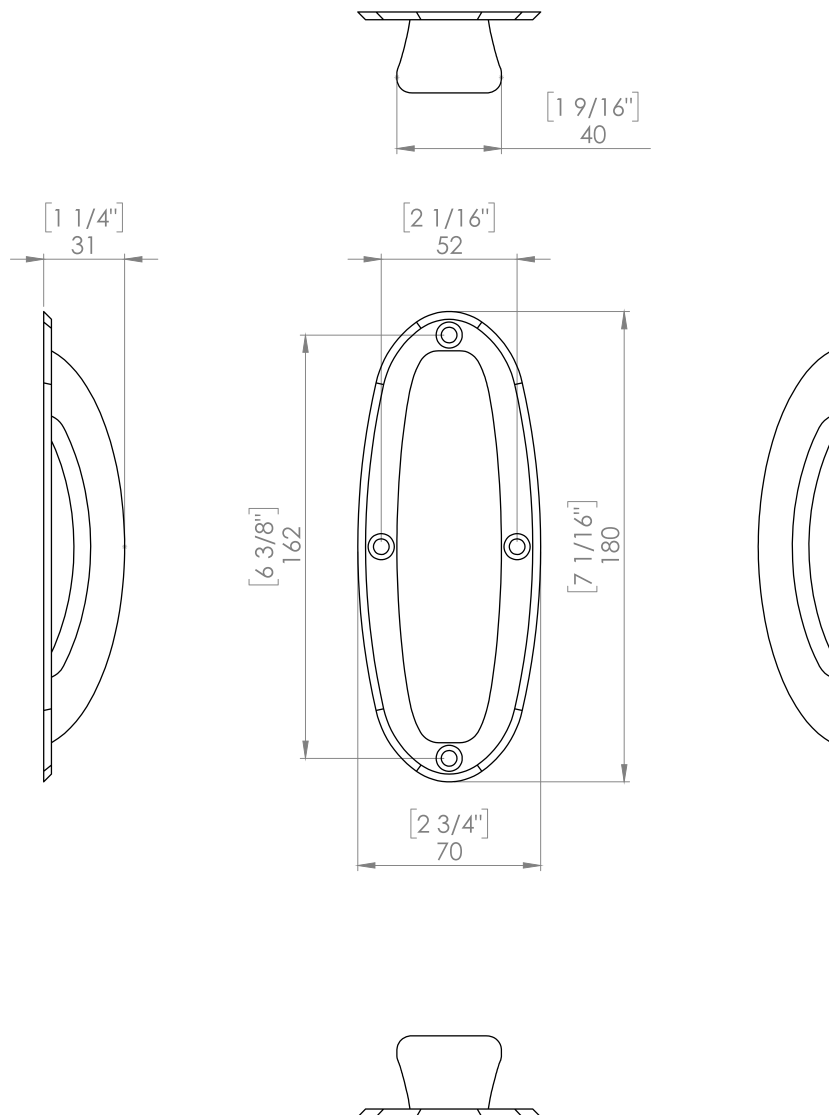
*For faulty manufacture and not for damage

Specification

KG30 Easy Grip pull handle on backplate

PRODUCT DIAGRAM

KG30 Easy Grip Pull Handle (on Backplate)



Terms and conditions:

To see our full terms and conditions, please visit: kingswaygroupglobal.com/terms