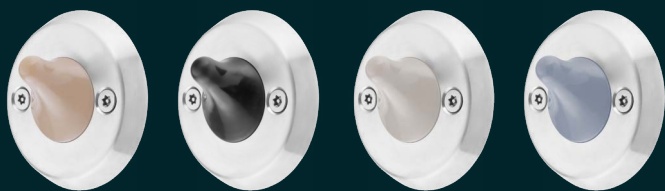


PRODUCT DATASHEET

KG180 Anti-Ligature Coat Hook

The KG180 coat and towel hook has a flexible hook with a low release threshold made from low shore rating, high silicone content rubber. The hook is secured by a stainless steel surround and fixed by two security screws that pass through both the surround and the rubber.

**Terms and conditions:**

To see our full terms and conditions, please visit:
kingswaygroupglobal.com/terms

Your Partner in Patient Safety

Installation Description

- Mark out the two fixing holes using the template provided
- Drill all fixing holes using suitable wall plugs where necessary
- Secure in place using the two security screws provided

Operation and Maintenance

Operation

Designed for garments and towels up to 6kg in weight. The hook will release under additional weight.

Maintenance

Periodic checks should be made to ensure the screws remain tight and that the rubber has not been damaged.

Cleaning

Clean using a non-abrasive sanitising agent. Abrasive cleaning cloth and agents should be avoided.

Guarantee

5 Year Guarantee*

*For faulty manufacture and not for damage

Specification

KG180 BK (Black) Anti-Ligature Coat Hook

KG180 BL (Blue) Anti-Ligature Coat Hook

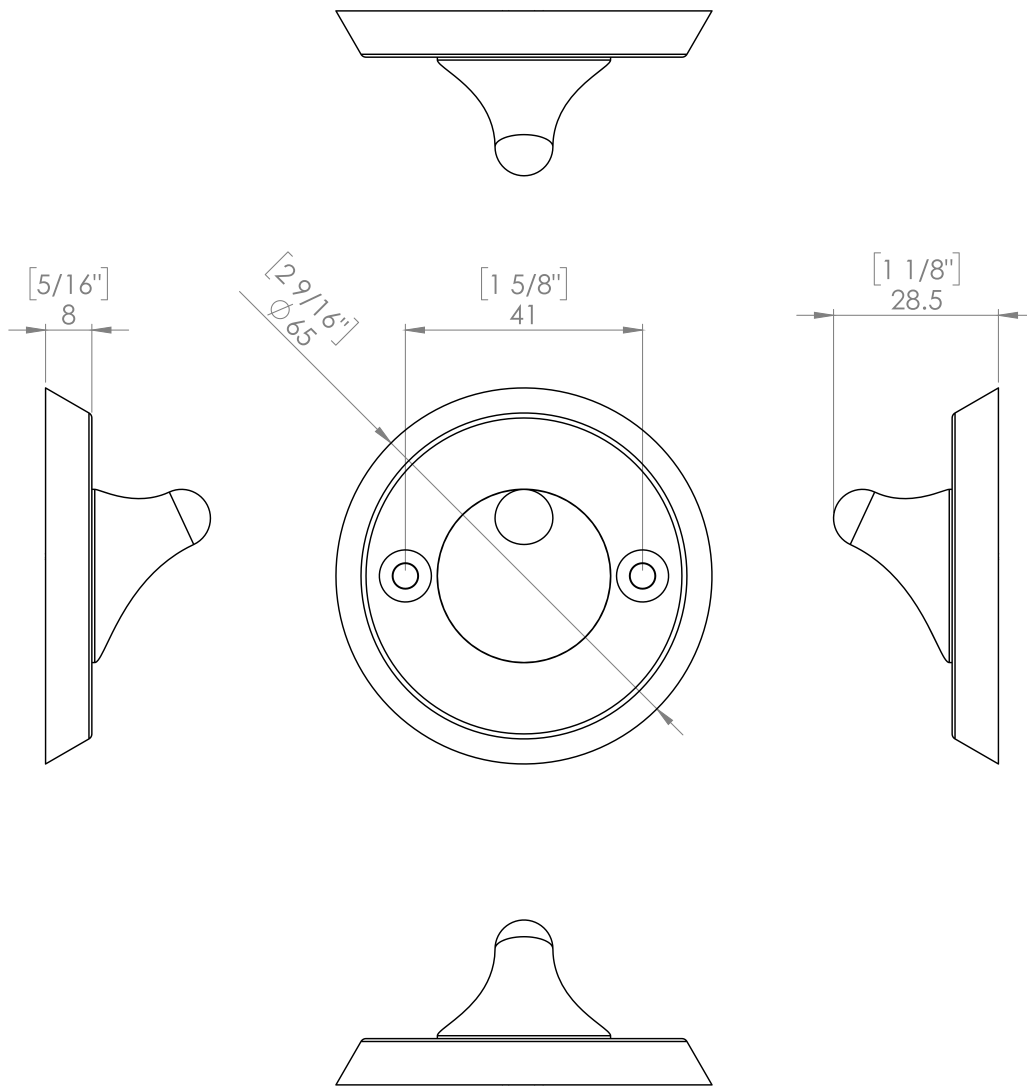
KG180 CR (Cream) Anti-Ligature Coat Hook

KG180 GR (Grey) Anti-Ligature Coat Hook

KG180 BE (Beige) Anti-Ligature Coat Hook

PRODUCT DIAGRAM

KG180 Anti-Ligature Coat Hook



Terms and conditions:

To see our full terms and conditions, please visit: kingswaygroupglobal.com/terms