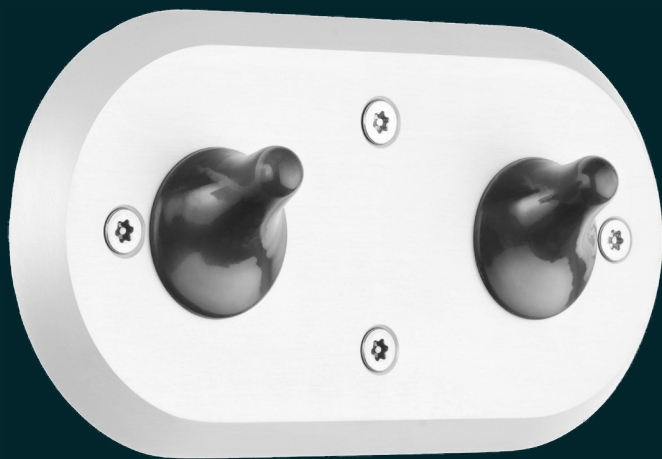


PRODUCT DATASHEET

KG177 Anti-Ligature Dual Coat Hook Rack

The dual coat and towel hook rack has two flexible hooks with low release thresholds made from a low shore rating, high silicone content rubber. The hooks are secured by a stainless steel surround and fixed by four security screws that pass through both the surround and the rubber.

**Terms and conditions:**

To see our full terms and conditions, please visit:
kingswaygroupglobal.com/terms

Your Partner in Patient Safety

Installation Description

- Mark out the four fixing holes using the template provided
- Drill all fixing holes using suitable wall plugs where necessary
- Secure in place using the four security screws provided

Operation and Maintenance

Operation

Designed for garments and towels up to 6kg in weight. The hooks will release under additional weight.

Maintenance

Periodic checks should be made to ensure the screws remain tight and that the rubber has not been damaged.

Cleaning

Clean using a non-abrasive sanitising agent. Abrasive cleaning cloth and agents should be avoided.

Guarantee

5 Year Guarantee*

*For faulty manufacture and not for damage

Specification

KG177 BK (Black) Anti-Ligature Dual Coat Hook Rack

KG177 BL (Blue) Anti-Ligature Dual Coat Hook Rack

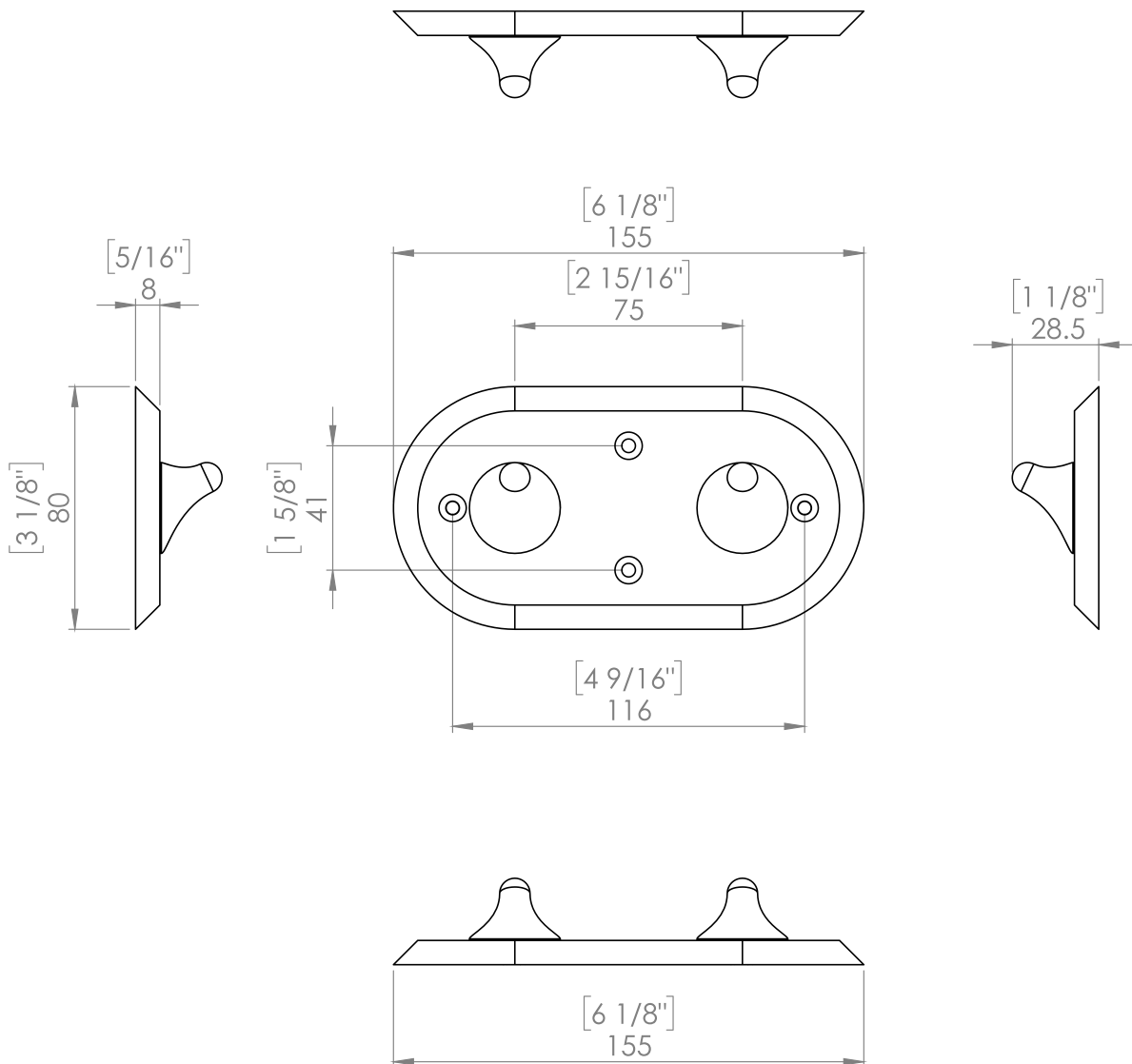
KG177 CR (Cream) Anti-Ligature Dual Coat Hook Rack

KG177 GR (Grey) Anti-Ligature Dual Coat Hook Rack

KG177 BE (Beige) Anti-Ligature Dual Coat Hook Rack

PRODUCT DIAGRAM

KG177 Anti-Ligature Dual Coat Hook Rack



Terms and conditions:

To see our full terms and conditions, please visit: kingswaygroupglobal.com/terms