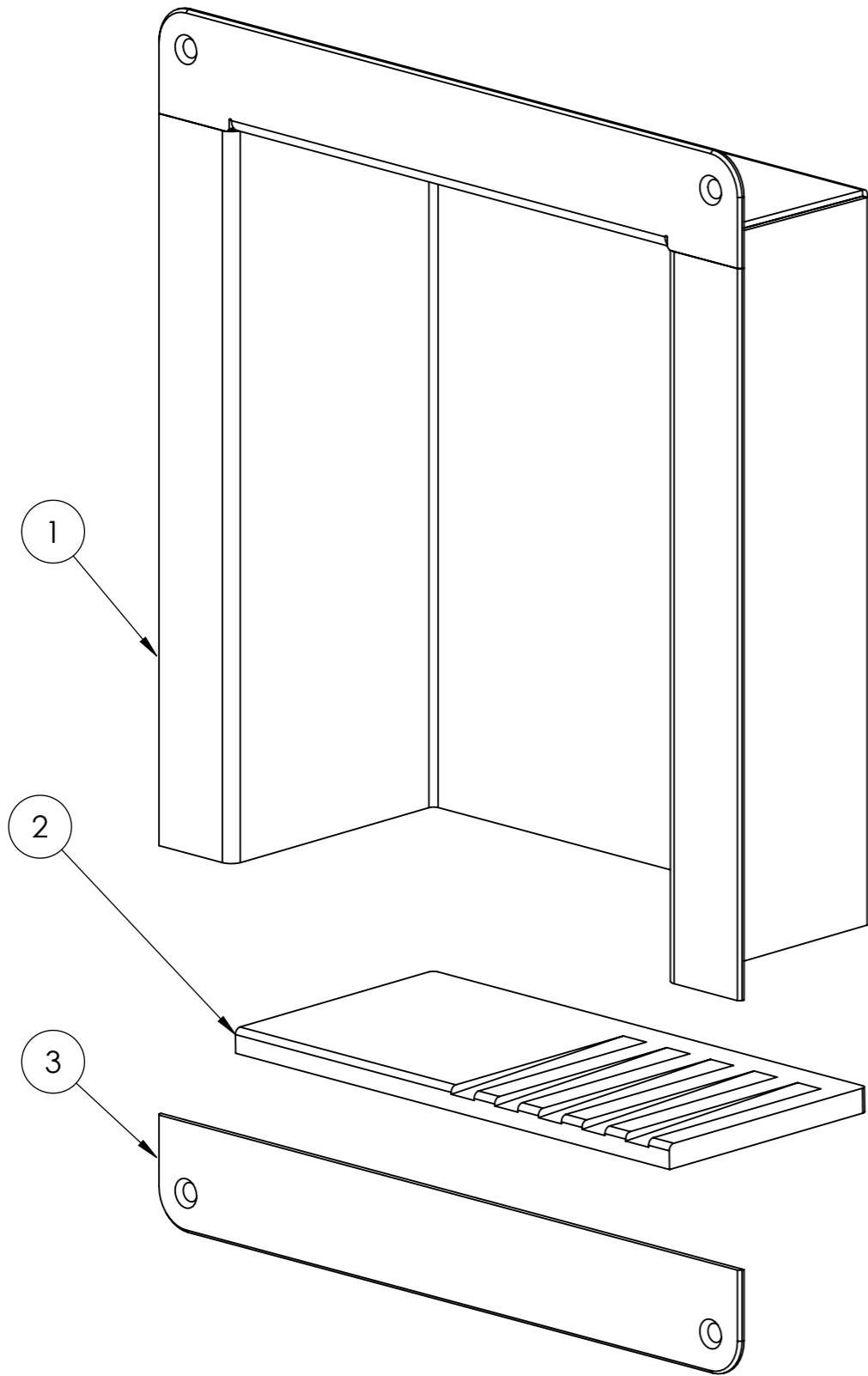


UNLESS OTHERWISE SPECIFIED: DIMENSIONS ARE IN MILLIMETERS SURFACE FINISH: TOLERANCES: LINEAR: ±0.05 ANGULAR: ±0.05				Finish: Brushed / Grained	DEBUR AND BREAK SHARP EDGES	DO NOT SCALE DRAWING	REVISION B
DRAWN A. Howard				SIGNATURE	DATE 12.02.19	TITLE: Recessed Soap Shelf General Assembly	
CHK'D				MATERIAL: 316 Stainless Steel		DWG NO. KG12-GA	A3
APPV'D				WEIGHT:		SCALE:1:2	SHEET 1 OF 5
MFG							
Q.A							




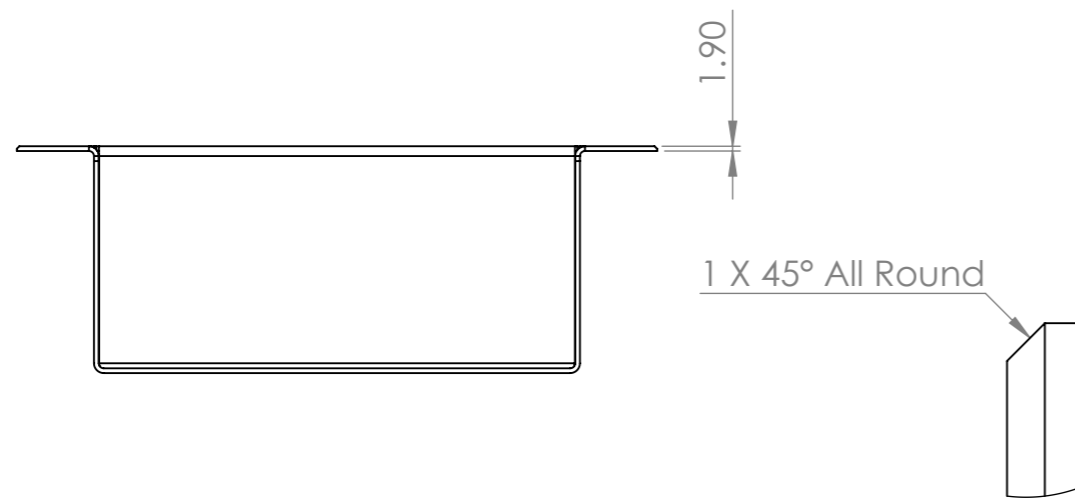
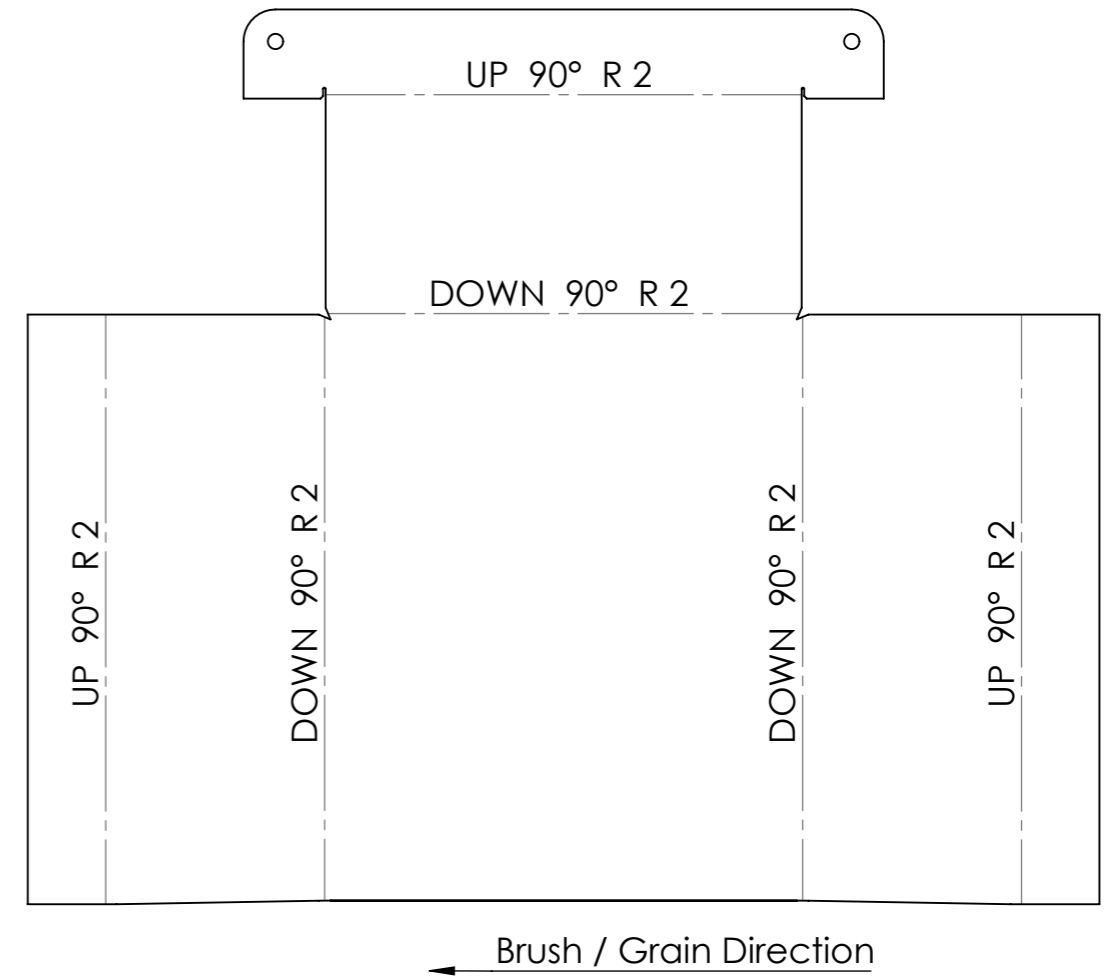
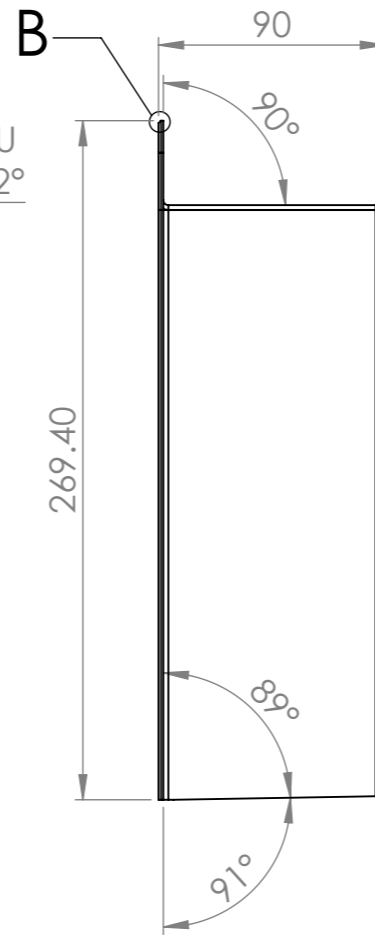
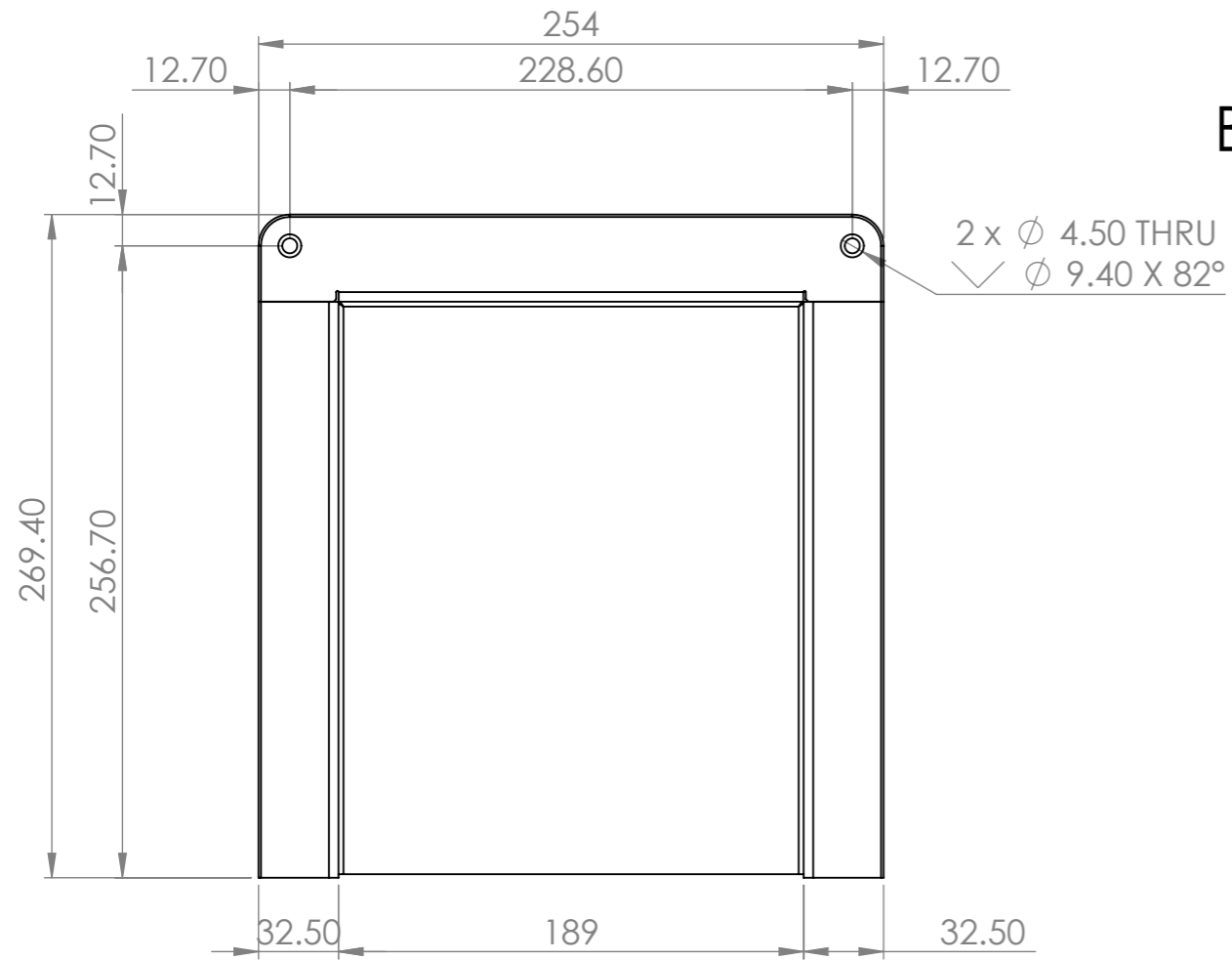
**Recessed Soap Shelf
General Assembly**

KG12-GA




ITEM NO.	DESCRIPTION	PART NUMBER	QTY.
1	Shelf Body	KG12-01	1
2	Shelf Base	KG12-02	1
3	Shelf Bottom Dressing Plate	KG12-03	1

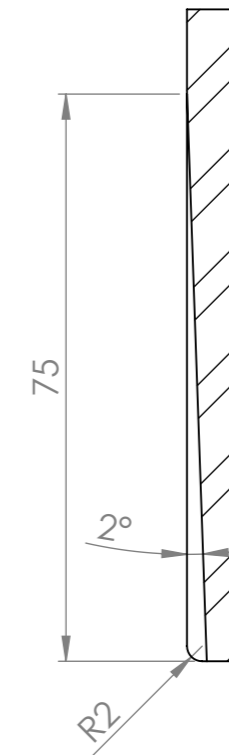
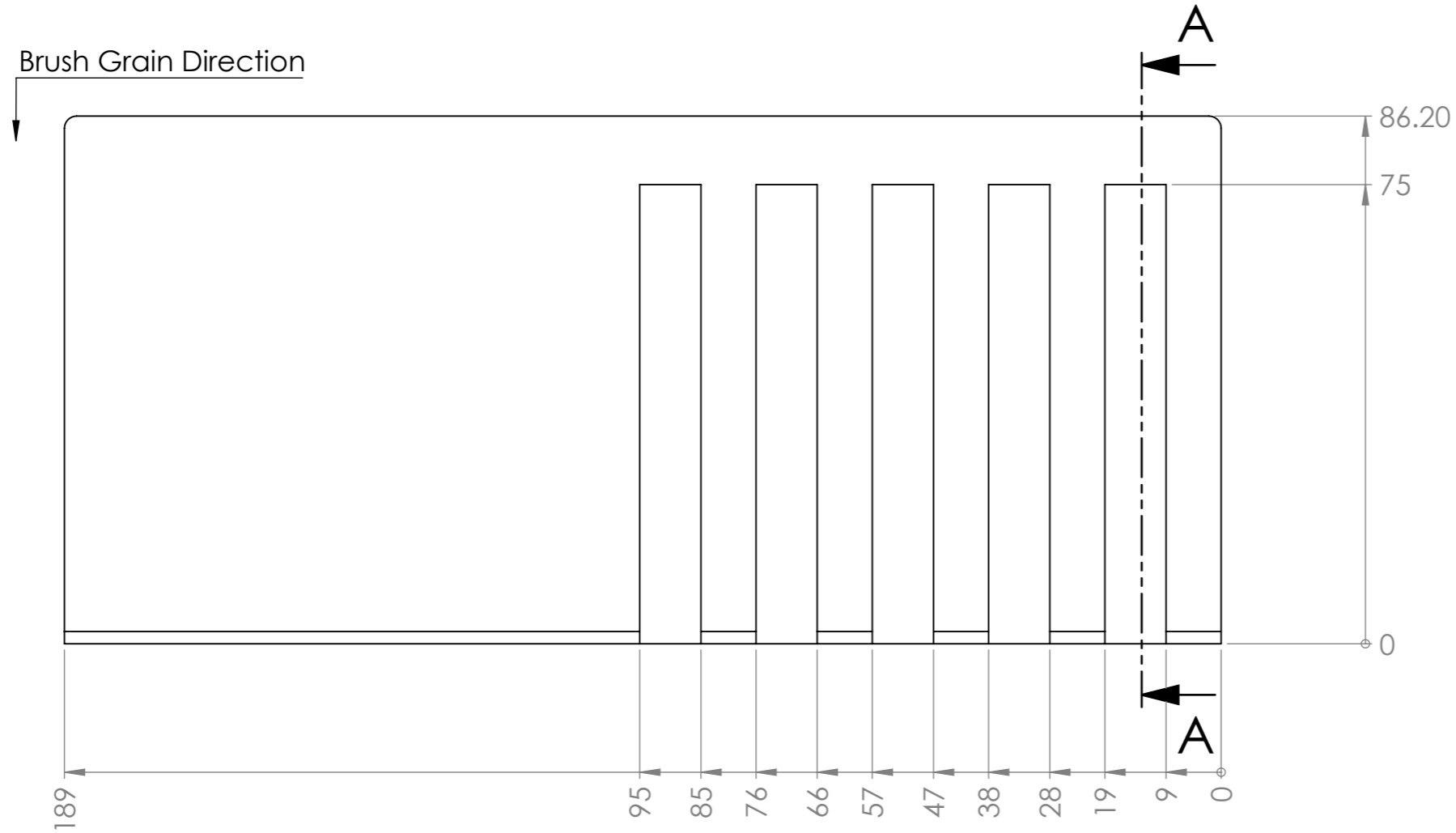
UNLESS OTHERWISE SPECIFIED: DIMENSIONS ARE IN MILLIMETERS SURFACE FINISH: TOLERANCES: LINEAR: ±0.05 ANGULAR: ±0.05				Finish: Brushed / Grained	DEBUR AND BREAK SHARP EDGES	DO NOT SCALE DRAWING	REVISION B
	NAME	SIGNATURE	DATE		Recessed Soap Shelf Bill Of Materials		
DRAWN	A. Howard		12.02.19				
CHK'D							
APPV'D							
MFG							
Q.A				MATERIAL: 316 Stainless Steel	DWG NO. KG12-BOM	A3	
				WEIGHT:	SCALE:1:2	SHEET 2 OF 5	



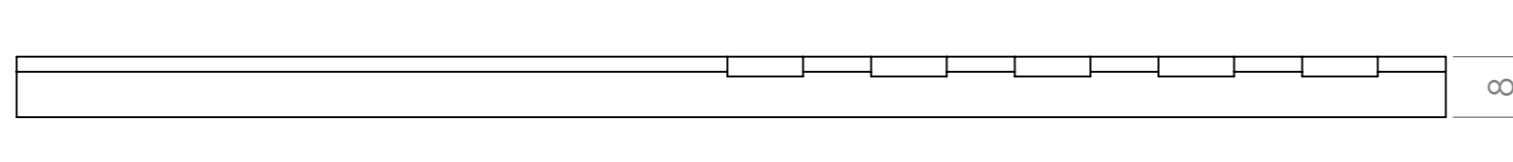
DETAIL B
SCALE 5 : 1


UNLESS OTHERWISE SPECIFIED: DIMENSIONS ARE IN MILLIMETERS SURFACE FINISH: TOLERANCES: LINEAR: ± 0.05 ANGULAR: ± 0.05				Finish: Brushed / Grained	DEBUR AND BREAK SHARP EDGES	DO NOT SCALE DRAWING	REVISION B
DRAWN	NAME A. Howard	SIGNATURE	DATE 12.02.19			Recessed Soap Shelf Shelf Body	
CHK'D							
APPV'D							
MFG							
Q.A							
				MATERIAL: 1.9mm 316 Stainless Steel		DWG NO. KG12-01	A3
				WEIGHT: 1882.22	SCALE: 1:3	SHEET 3 OF 5	

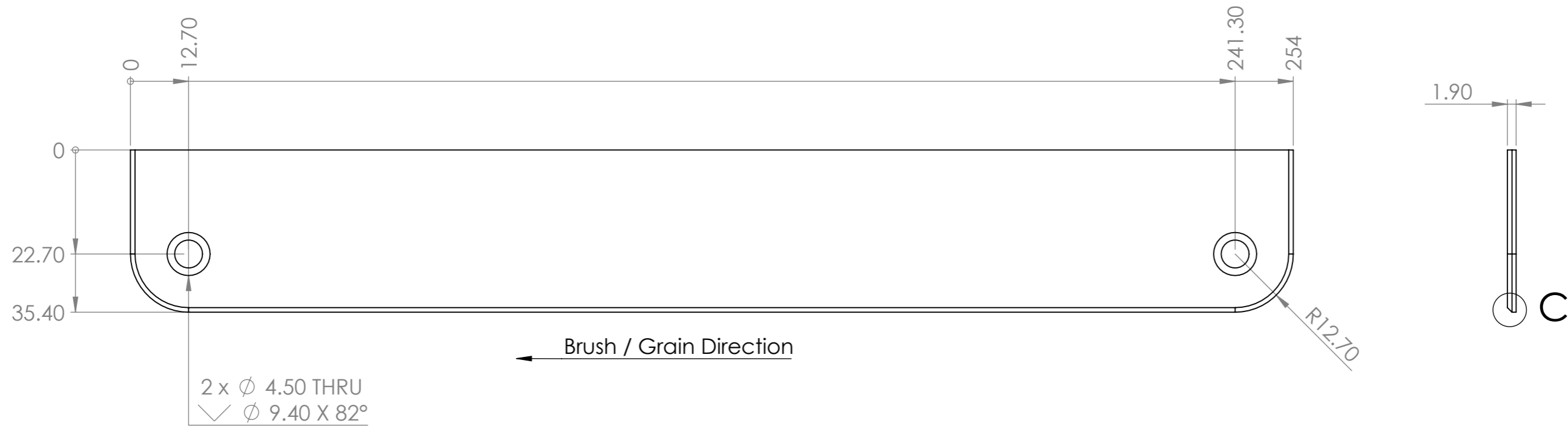
Brush Grain Direction



SECTION A-A



<small>UNLESS OTHERWISE SPECIFIED: DIMENSIONS ARE IN MILLIMETERS SURFACE FINISH: TOLERANCES: LINEAR: ±0.05 ANGULAR: ±0.05</small>				Finish:		DEBUR AND BREAK SHARP EDGES	DO NOT SCALE DRAWING		REVISION	
				Brushed / Grained					A	
	NAME	SIGNATURE	DATE					TITLE:		
DRAWN	A. Howard		10.10.17					Recessed Soap Shelf Shelf Base		
CHK'D										
APPV'D										
MFG										
Q.A				MATERIAL:		DWG NO.				
				8mm 316 Stainless Steel		KG12-02		A3		
				WEIGHT: 1002.32		SCALE:1:1		SHEET 4 OF 5		



DETAIL C
SCALE 5 : 1



UNLESS OTHERWISE SPECIFIED: DIMENSIONS ARE IN MILLIMETERS SURFACE FINISH: TOLERANCES: LINEAR: ±0.05 ANGULAR: ±0.05				Finish: Brushed / Grained	DEBUR AND BREAK SHARP EDGES	DO NOT SCALE DRAWING	REVISION B
DRAWN	A. Howard	SIGNATURE	DATE 12.02.19			Recessed Soap Shelf Dressing Plate	
CHK'D							
APPV'D							
MFG							
Q.A							
				MATERIAL: 1.9mm 316 Stainless Steel	DWG NO. KG12-03	A3	
				WEIGHT: 132.91	SCALE: 1:1	SHEET 5 OF 5	