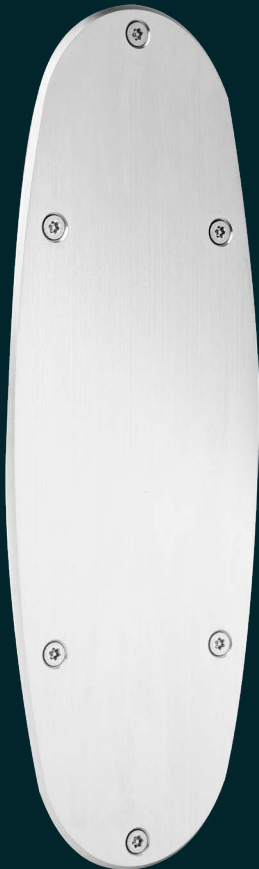


PRODUCT DATASHEET

KG100 Push Plate

The Kingsway Push Plate is designed to protect doors from wear - made from 3mm solid stainless-steel plate with radiused ends and beveled edges. It is easy to clean making it ideal for infection control whilst remaining safe for installation in patient areas. Supplied with security screws.



Terms and conditions:

To see our full terms and conditions, please visit:
kingswaygroupglobal.com/terms

Your Partner in Patient Safety

Installation Description

- Mark out the area where the plate is to be installed and drill the 6 holes
- Mount in place using the security screws provided

Operation and Maintenance

Operation

Designed to provide a hard-wearing push area on the door that is easy to clean and safe for use in patient areas.

Maintenance

Periodic checks should be made to ensure the screws remain tight and that they have not been tampered with.

Cleaning

Push Plates should be cleaned using a non-abrasive sanitising agent. Abrasive cleaning cloth and agents should be avoided.

Guarantee

5 Year Guarantee*

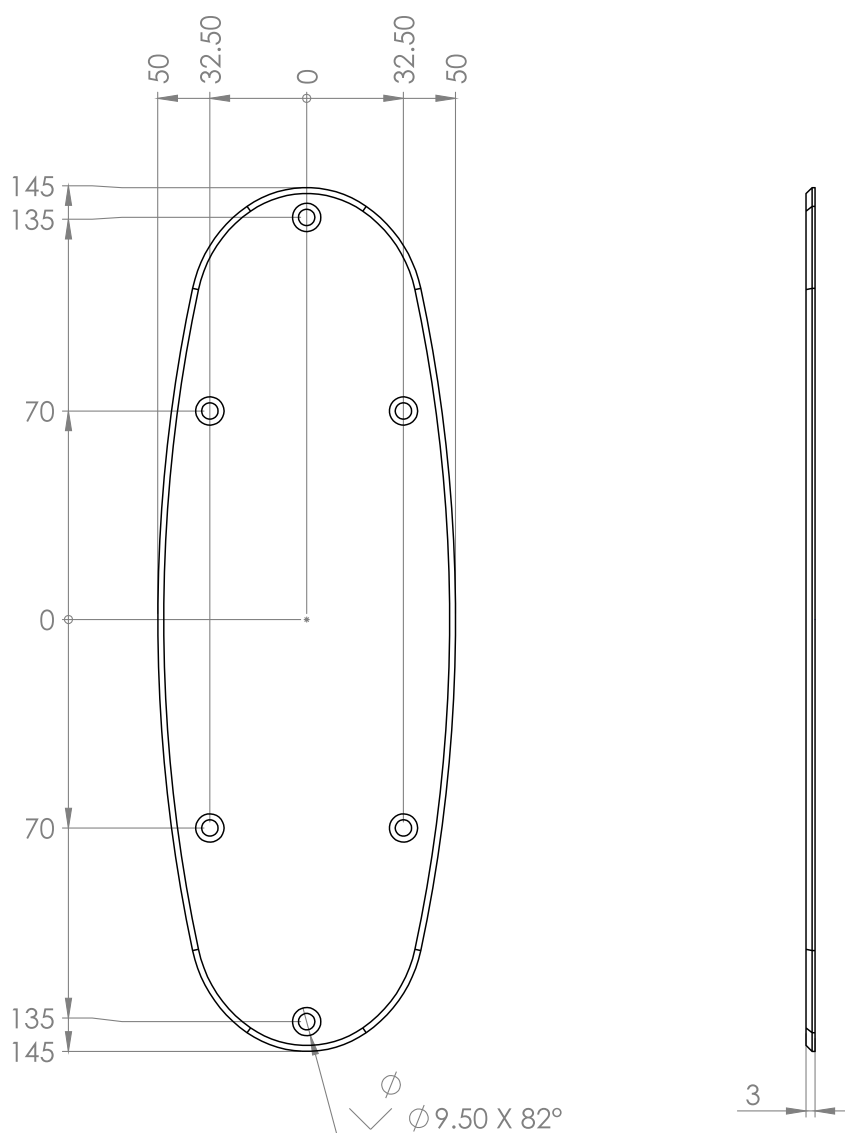
*For faulty manufacture and not for damage

Specification

KG100 Radiused End Push Plate

PRODUCT DIAGRAM

KG100 Push Plate



Terms and conditions:

To see our full terms and conditions, please visit: kingswaygroupglobal.com/terms